

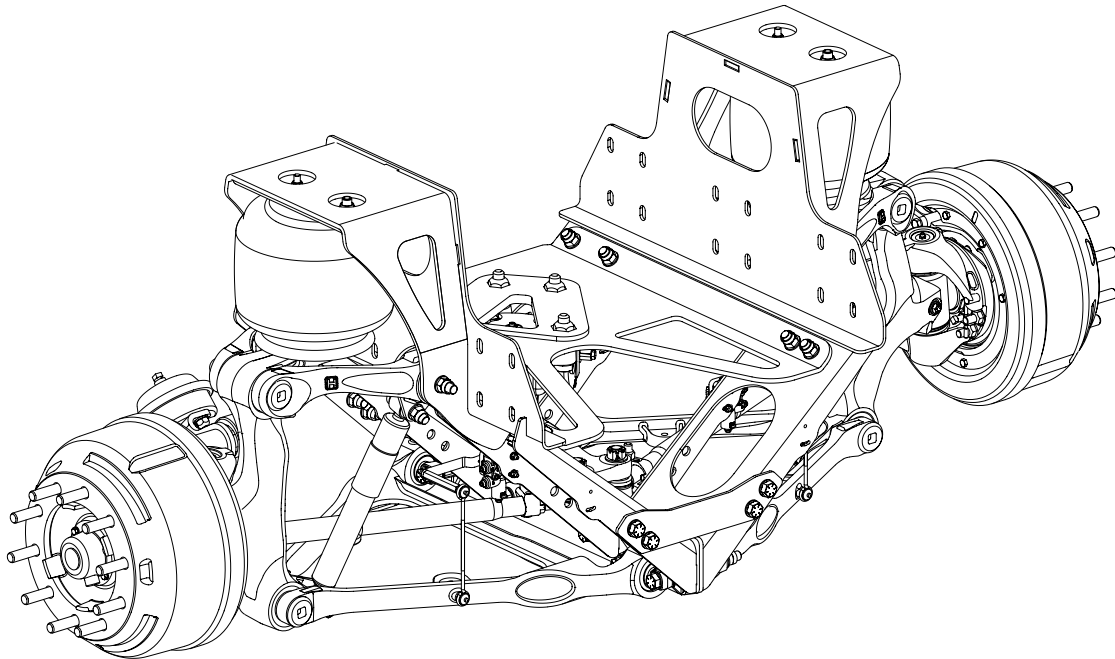
H PARTS LIST

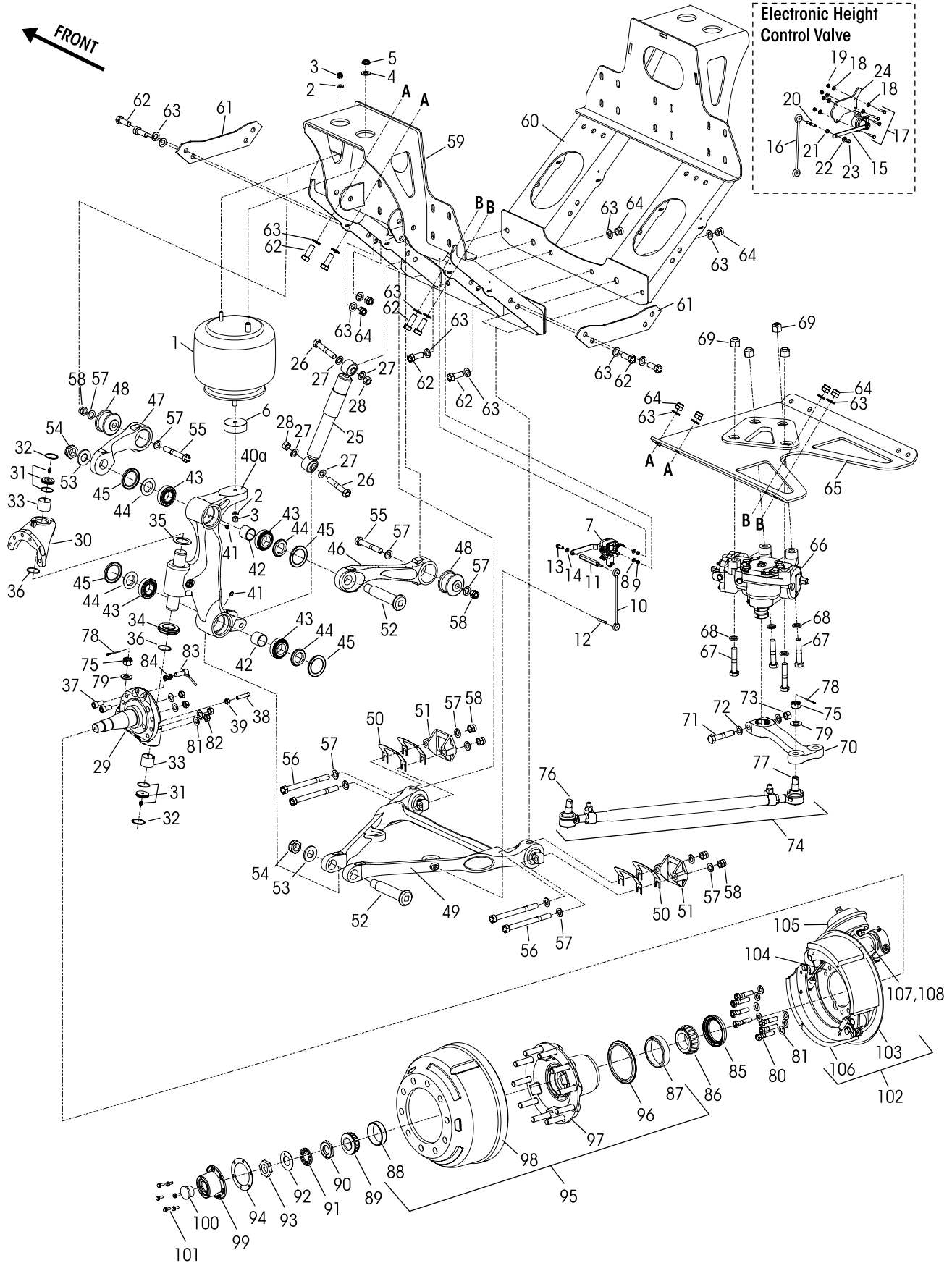
Hendrickson IFS Independent Front Suspension for Spartan Motorhome Chassis

LIT NO: SP-185

DATE: July 2013

REVISION: C







Hendrickson IFS for Spartan Motorhome Chassis

VEHICLE				VEHICLE			
KEY NO.	PART NO.	DESCRIPTION	QTY.	KEY NO.	PART NO.	DESCRIPTION	QTY.
1	68348-002L	Air Spring	2	48	68361-000	Upper Control Arm Bushing	4
2	22962-011	½" Hardened Washer	4	49	68360-000	Lower Control Arm Assembly	2
3	17700-010	½"-13 UNC Locknut	4	50	68387-000	Camber Shim	8
4	22962-001	¾" Hardened Washer	2	51	30828-000	Lower Control Arm Bracket	4
5	17700-031	¾"-16 UNF Locknut	2	52	68364-000	Upright Pin	4
6	70645-002	Air Spring Spacer	2	53	22962-019	Washer	4
7		Mechanical Height Control Valve, Includes Key Nos. 8-9		54	29749-000	1¼"-12 UNF Nylon Locknut	4
	66414-003	LH - 12.6K • 14.6K	1	55	50764-002	¾"-10 UNC x 5½" Bolt	4
Not Shown	66414-004	RH - 12.6K • 14.6K (if equipped)	1	56	50764-014	¾"-10 UNC x 8½" Bolt	4
8	22962-028	¼" Hardened Washer	*4	57	22962-001	¾" Hardened Washer	16
9	49983-000	¼"-20 UNC Locknut	*4	58	17700-033	¾"-10 UNC Locknut	8
10	59428-006	HCV Linkage	*2			Cradle Assembly	
11	59429-002	Link Mount	*2	59	68335-001	LH	1
12	59169-000	Link Mount Stud	*2	60	68335-002	RH	1
13	58035-001	⅜"-16 UNC x 1" Bolt	*2	61	68339-000	Cradle Gusset	2
14	22962-015	⅜" Hardened Washer	*2	62	50764-006	¾"-10 UNC x 2" Bolt	18
15	66414-006	Electronic Height Control Valve (if equipped), • Available for 14.6K Dual Capacity Only	2	63	22962-001	¾" Hardened Washer	36
16	59428-004	HCV Linkage	2	64	17700-033	¾"-10 UNC Locknut	18
17	56935-001	¼"-20 UNC Hex Cap Screw	8	65	66913-000	Cradle Belly Plate	1
18	22962-028	¼" Hardened Washer	12	66	68389-001	***Steering Gear, Replaces 68389-000	1
19	49983-000	¼"-20 UNC Locknut	8	67	58705-007	⅞"- 9 UNC x 4" Bolt	4
20	59169-000	⅝"-18 UNC Link Mount Stud	2	68	22962-007	⅞" Hardened Washer	4
21	17491-011	⅝"-18 UNC Nut	2	69	60266-000	⅞"- 9 UNC Locknut	4
22	22962-029	⅝" Hardened Washer	2	70	68388-000	Pitman Arm	1
23	59016-000	⅝"-18 UNC Locknut	2	71	50764-008	¾"-10 UNC x 5" Bolt	1
24	68352-001	Electronic Height Control Valve Bracket	2	72	22962-001	¾" Hardened Washer	2
25	66153-003L	Shock Absorber	2	73	17700-033	¾"-10 UNC Locknut	1
26	50764-016	¾"-10 UNC x 4" Bolt	4	74	64006-004	Tie Rod Assembly, Includes Key Nos. 75-77	2
27	22962-001	¾" Hardened Washer	4	75		**Tie Rod Castle Nut	4
28	17700-033	¾"-10 UNC Locknut	8		60961-181	Tie Rod End Axle Service Kit Includes Kit Nos. 60961-178 & -179	
		Lower Steering Knuckle Assembly				Tie Rod End Service Kit, One Side	
29	58900-084	LH	1		60961-178	LH, Includes Key Nos. 76, 78-79	
Not Shown	58900-083	RH	1		60961-179	RH, Includes Key Nos. 77-79	
		Upper Steering Knuckle Assembly				Tie Rod End	
30	60904-002	LH	1	76	64002-003	LH	2
Not Shown	60904-001	RH	1	77	64002-004	RH	2
	60961-039	Kingpin Bushing and Bearing Service Kit, Includes Key Nos. 31-37 and Loctite		78	17800-004	Cotter Pin	4
31	59156-000	Grease Cap Assembly	4	79	22962-007	7/8" Hardened Washer	4
32	58937-000	Retaining Ring	4	80	32043-002	⅝"-1.1 UNC x 2¾" Bolt	14
33	58909-000	Kingpin Bushing	4	81	22962-036	⅝" Hardened Washer	22
	60961-042	Roller Thrust Bearing Service Kit, One Side Includes Key Nos. 34-37 and Loctite		82	47764-000	⅝"-1.1 UNC Locknut	8
34	64256-000	Roller Thrust Bearing	2		64627-001	ABS Sensor Service Kit, Includes Key Nos. 83-84	
35	60259-002	Kingpin Shim - 0.047"	2	83	64547-000	ABS Sensor	2
Not Shown	60259-001	Kingpin Shim - 0.005", As needed for service		84	64550-000	ABS Sensor Clip	2
36	58910-001	Kingpin Seal, Replaces 58910-000	4		64626-008	Front Wheel End Bearing Service Kit, Includes Key Nos. 85-94	
37	60236-001	⅝"-1.1 UNC Socket Head Cap Screw	4	85	64531-000	Wheel Seal	2
Not Shown	60937-000	Loctite® (Red) Compound Tube		86	64529-000	Inner Bearing Cone	2
38	60238-001	½"-13 UNC Square Head Bolt	2	87	66810-001	Inner Bearing Cup	2
39	67102-000	½"-13 UNC Hex Nut	2	88	66811-001	Outer Bearing Cup	2
		Upright Assembly		89	64530-000	Outer Bearing Cone	2
	68370-001	LH, Includes Key Nos. 40a, 41-45	1	90	64671-000	1½"-12 UNF Inner Wheel Bearing Adj. Nut	2
	68370-002	RH, Includes Key Nos. 40b-45	1	91	64672-000	1½"-12 UNF Pierced Lock Ring	2
40		Upright Kingpin Assembly		92	64673-000	1½" Lock Washer	2
a	68365-001	LH	1	93	64674-000	1½"-12 UNF Wheel Bearing Outer Nut	2
b	68365-002	RH, not shown	1	94	64546-000	Hubcap Gasket	2
41	33117-000	Grease Fitting	4	95		Hub & Drum Assembly, Includes Key Nos. 87-88, 96-98	2
42	68367-000	Bearing Preload Spacer	4		66238-001	15" x 4" - 12.6K (Not Shown)	
43	68363-000	Tapered Roller Bearing	8		66239-001	16½" x 5" - 14.6K	
44	68369-000	Seal Spacer	8	96		**ABS Tone Ring	2
45	68368-000	Seal Wiper	8	97		**Hub	2
		Upper Control Arm Assembly, Includes Key No. 48		98		**Drum	2
46	68362-001	RH Front/LH Rear	2	99	64532-000	Hubcap Assembly, Includes Key No. 100	2
47	68362-002	LH Front/RH Rear	2	100		**Rubber Plug	2
				101	64545-002	⅝"-18 UNC x ¾" Bolt	12

Hendrickson IFS for Spartan Motorhome Chassis



KEY NO.	PART NO.	DESCRIPTION	VEHICLE QTY.	KEY NO.	PART NO.	DESCRIPTION	VEHICLE QTY.
102		****Brake Assembly		105	69437-020	Brake Chamber, <i>Replaces 69437-001</i>	
	68333-005	LH 15" x 4" - 12.6K, <i>Replaces 68333-001</i>	1	106	69437-008	Single Lined Shoe	
	68333-006	RH 15" x 4" - 12.6K, <i>Replaces 68333-002</i>	1	107		Camshaft Bracket	
	68333-007	LH 16½" x 5" - 14.6K, <i>Replaces 68333-003</i>	1		69437-004	RH, 12.6K	
	68333-008	RH 16½" x 5" - 14.6K, <i>Replaces 68333-004</i>	1		69437-005	LH, 12.6K	
103		Dust Shield			69437-006	RH, 14.6K	
	69437-002	12.6K			69437-007	LH, 14.6K	
	69437-003	14.6K		108		Camshaft	
104		Brake Spider			69437-015	LH, 12.6K	
	69437-011	LH, 12.6K			69437-016	RH, 12.6K	
	69437-012	RH, 12.6K			69437-017	LH, 14.6K	
	69437-013	LH, 14.6K			69437-018	RH, 14.6K	
	69437-014	RH, 14.6K					

NOTE: * Quantity shown for vehicles equipped with dual height control valves, divide quantity in half for vehicles equipped with a single height control valve.

** Item included in kit/assembly only, part not sold separately.

*** For preventive maintenance, service, repair and rebuild of the steering gear, contact TRW at 800.879.0899, or see their website www.trw.com/comercialsteering.

**** For preventive maintenance, service and repair of the brake assembly, reference Meritor Maintenance Manual 4 for Q-plus brake service information.

This is a general parts list to provide directional information. Components may vary by model. Questions in regards to parts, contact Hendrickson Truck Parts at 1.866.755.5968 (Toll-free U.S. and Canada), 630.910.2800 (Outside U.S. and Canada) or e-mail: truckparts@hendrickson-intl.com.

www.hendrickson-intl.com



Truck Commercial Vehicle Systems
800 South Frontage Road
Woodridge, IL 60517-4904 USA

1.866.755.5968 (Toll-free U.S. and Canada)
630.910.2800 (Outside U.S. and Canada)
Fax 630.910.2899