

# H PARTS LIST

## R™ Rear Suspension

LIT NO: SP-167

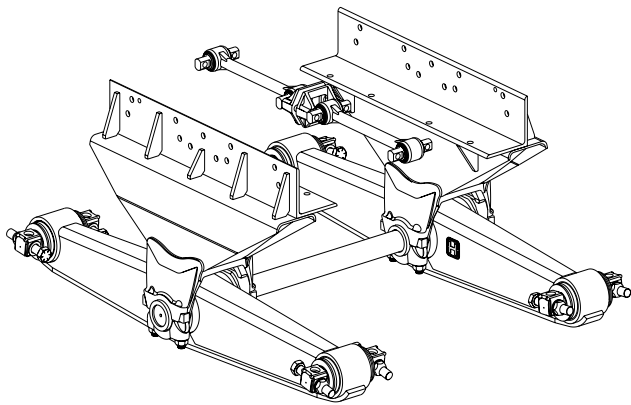
DATE: January 2017

REVISION: D

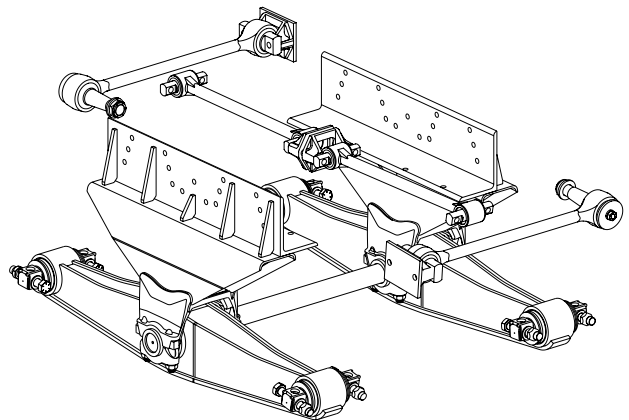
### CONTENTS

DESCRIPTION	PAGE	DESCRIPTION	PAGE
Parts Lists		Special Tools . . . . .	10
▪ R 40K • 46K . . . . .	2	Notes . . . . .	11
▪ R 48K • 52K . . . . .	4	<b>Selection Guides</b>	
▪ R 65K . . . . .	6	▪ Cross Tubes . . . . .	11
▪ R 85K • 100K • 120K . . . . .	8	▪ Corresponding Center Bushing End Plugs for Cross Tube Replacement . . . . .	11

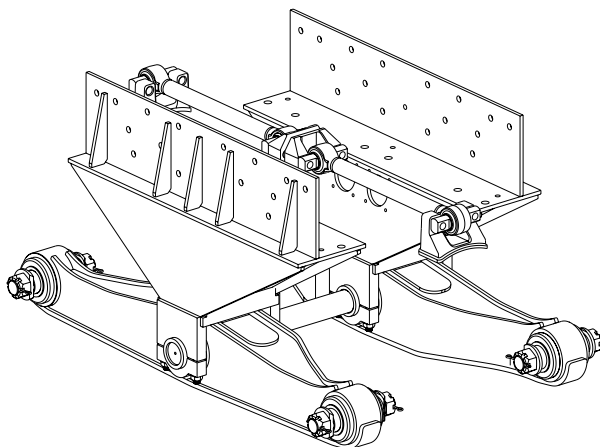
### R 40K • 46K



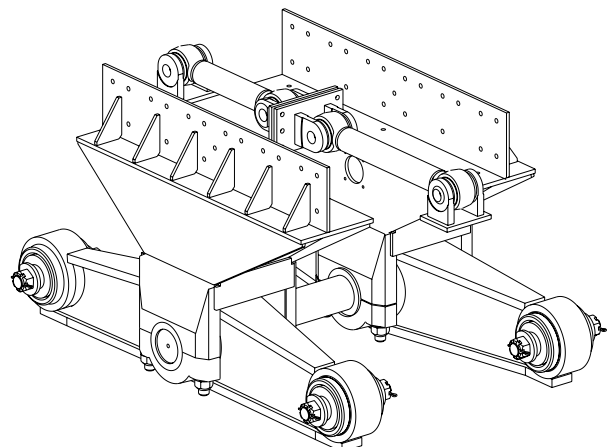
### R 48K • 52K

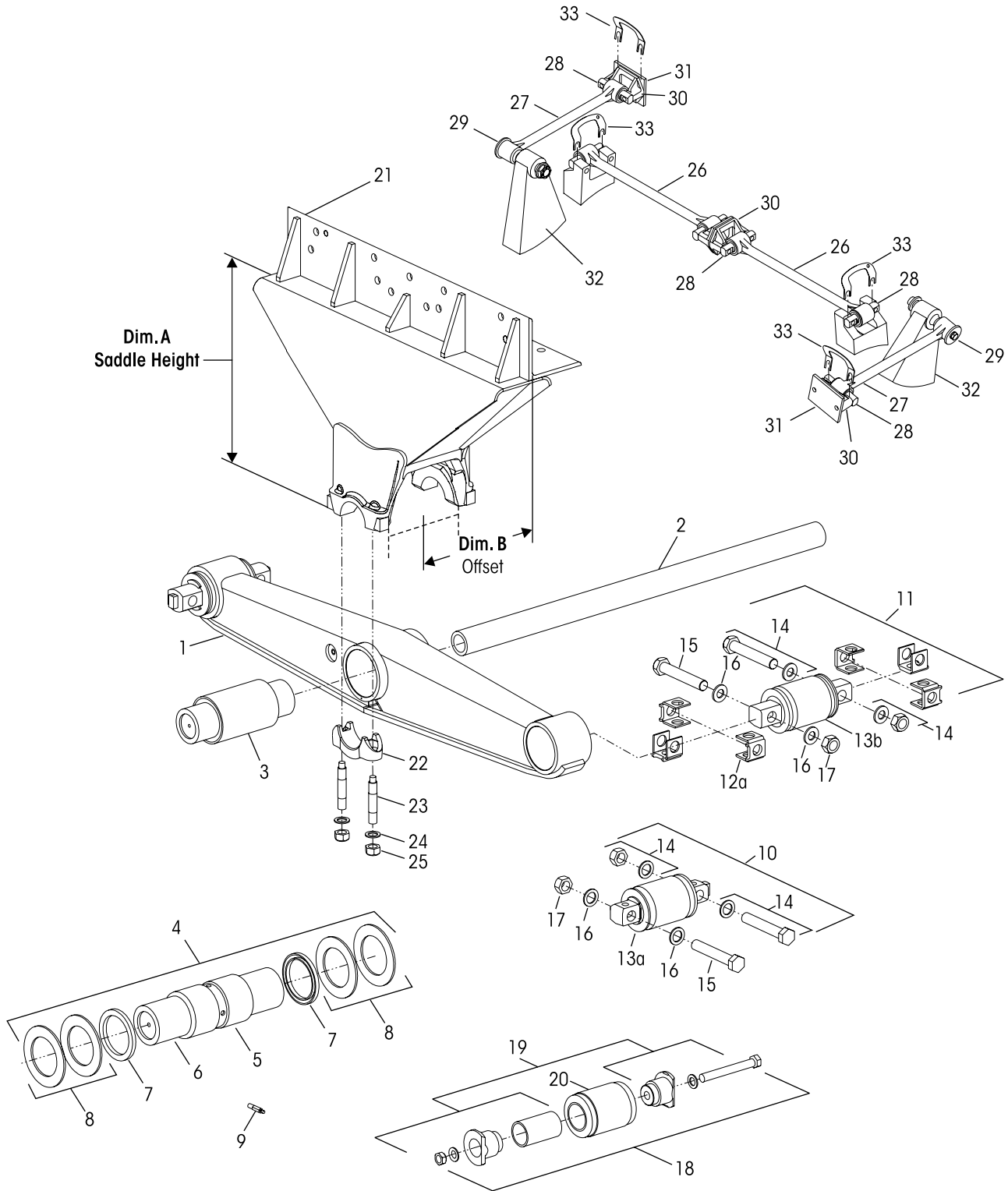


### R 65K



### R 85K • 100K • 120K

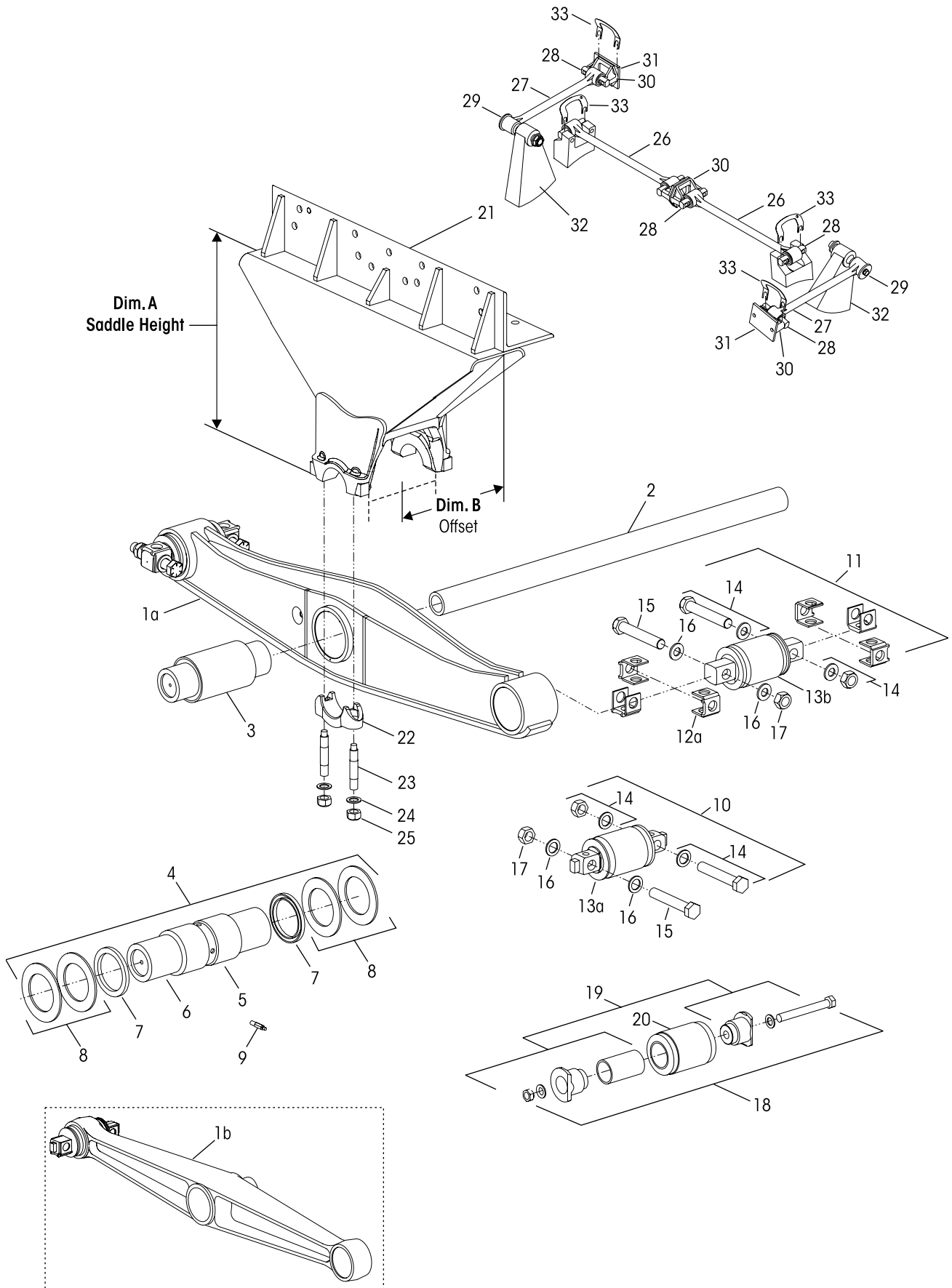






			VEHICLE				VEHICLE
KEY NO.	PART NO.	DESCRIPTION	QTY.	KEY NO.	PART NO.	DESCRIPTION	QTY.
1		Equalizing Beam Assembly <i>See Selection Guide 45745-147</i>	2	20	45900-000L	Rubber End Bushing	4
2		Cross Tube, <i>See Selection Guide on Page 11</i>	1	21		Saddle Assembly, Includes Key Nos. 22-25 <i>See Chart Below</i>	2
3		Rubber Center Bushing, Requires Transverse Rods <i>See Center Bushing End Plug Selection Guide on Page 11</i>	2	22	58795-000	Saddle Cap	4
	49400-000L	R 40K Welded End Plug		23	06696-000	7/8"-14 UNF Saddle Cap Stud	8
	49600-000L	R 40K w/Loose End Plug		24	22962-002	7/8" Hardened Washer	8
	29483-005L	R 46K Optional for R 40K		25	04842-000	7/8"-14 UNF Saddle Cap Locknut	8
	34013-097L	w/Loose End Plug, Optional for R 46K		26		***One-piece Longitudinal Torque Rod Assembly, Straddle/Straddle, Specify Length in mm ULTRA ROD®, Includes Key No. 28a	
4	30437-000L	<b>Bronze Center Bushing Service Kit, Two Beams,</b> Includes Key Nos. 5-9			62000-XXX	Front	1
5	30240-002L	Bronze Center Bushing	2		62001-XXX	Rear	1
6	14685-000L	Beam Center Sleeve	2		72000-XXX	Front	1
7	30334-000	Beam Center Seal	4		72001-XXX	Rear	1
8	32365-000	Thrust Washer	8	27		****One-piece Transverse Torque Rod Assembly, Straddle/Taper, Specify Length in mm ULTRA ROD, Includes Key Nos. 28a-29a	2
9	30087-000	Grease Fitting	As Req. 2		62350-XXX	ULTRA ROD PLUS, Includes Key Nos. 28b-29b	
		<b>Bar Pin End Bushing Kit, One Wheel End</b>			72350-XXX	ULTRA ROD PLUS, Includes Key Nos. 28b-29b	
10	34013-087L	Non-Shim Type, Includes Key Nos. 13a, 14			92350-XXX	XTRB, Includes Key Nos. 28c-29c	
11	34013-088L	Shim Type, Includes Key Nos. 12a, 13b, 14		28		Straddle Bushing	6
	34013-188L	Rotating Shim Type, (Not Shown) Includes Key Nos. 12a, 13c, 14		a	47691-000L	ULTRA ROD	
12		Bar Pin Shim	8	b	64400-002L	ULTRA ROD PLUS	
a	50131-000	0.25" / 0.12" Standard		c	66649-002L	XTRB	
b	50130-000	0.19" / 0.19" Optional		29		Taper Bushing	2
c	57026-000	0.375" Optional flat shim		a	64697-000L	ULTRA ROD	
13		**Bar Pin End Bushing	4	b	64400-004L	ULTRA ROD PLUS	
a		Non-Shim Type		c	66649-004L	XTRB	
b		Shim Type				<b>Two-Piece Torque Rod Assembly with Bushings Service Kit</b>	
c		Rotating, Shim Type (Not Shown)			60218-000	ULTRA ROD Straddle/Straddle	
14	34013-104	<b>Bar Pin End Bushing Fastener Kit, One Wheel End,</b> Includes Key Nos. 15-17			60215-000	ULTRA ROD Straddle/Taper	
15		**1"-8 UNC x 6" Hex Bolt	8		65781-000	ULTRA ROD PLUS Straddle/Taper	
16		**1" Hardened Washer	16		65781-001	XTRB Straddle/Straddle	
17		**1"-8 UNC Locknut	8		65781-002	XTRB Straddle/Taper	
18		<b>Rubber End Bushing and Adapter Service Kit, One Wheel End</b>		30	22186-000	Torque Rod Bracket	4
	34013-049L	R 40K, Includes Key Nos. 19a, 20		31	45045-003	Back-up Plate (for Torque Rod)	2
	34013-073L	R 46K, Includes Key Nos. 19b, 20		32		*Transverse Rod Axle Bracket	2
19		<b>Adapter w/o Bushing Service Kit, One Wheel End</b>		33	49689-000L	Torque Rod Shim	As Req
a	45000-007L	R 40K		Not Shown	70867-001	P-80 Lubricant - 10 ml per Rubber Bushing	1
b	21140-034L	R 46K					

KEY NO. 21								
SADDLE ASSEMBLY – R 40K • 46K								
Dim. A Saddle Height	Dim. B Offset	Part No.	Dim. A Saddle Height	Dim. B Offset	Part No.	Dim. A Saddle Height	Dim. B Offset	Part No.
12¾"	23 mm	50207-003	16½"	13.5 mm	50207-017	18"	23 mm	50207-013
15¾"	14.3 mm	50207-038		23 mm	50207-011	19"	30.2 mm	50207-032
		50207-039		29.6 mm	50207-040	20½"	23 mm	50207-010
	49197-024	14.3 mm	50207-023	50207-016				
	50207-001		50207-034	50207-037				
	50207-005	17.5 mm	50207-029	23.8 mm	50207-027			
	50207-024	23 mm	17½"	23 mm	50207-002	21½"	23 mm	50207-028
	50207-035				22"	19.1 mm	50207-025	
	50207-022				50207-006			
	50207-041				50207-020			
					50207-036			
				30.2 mm	50207-008			



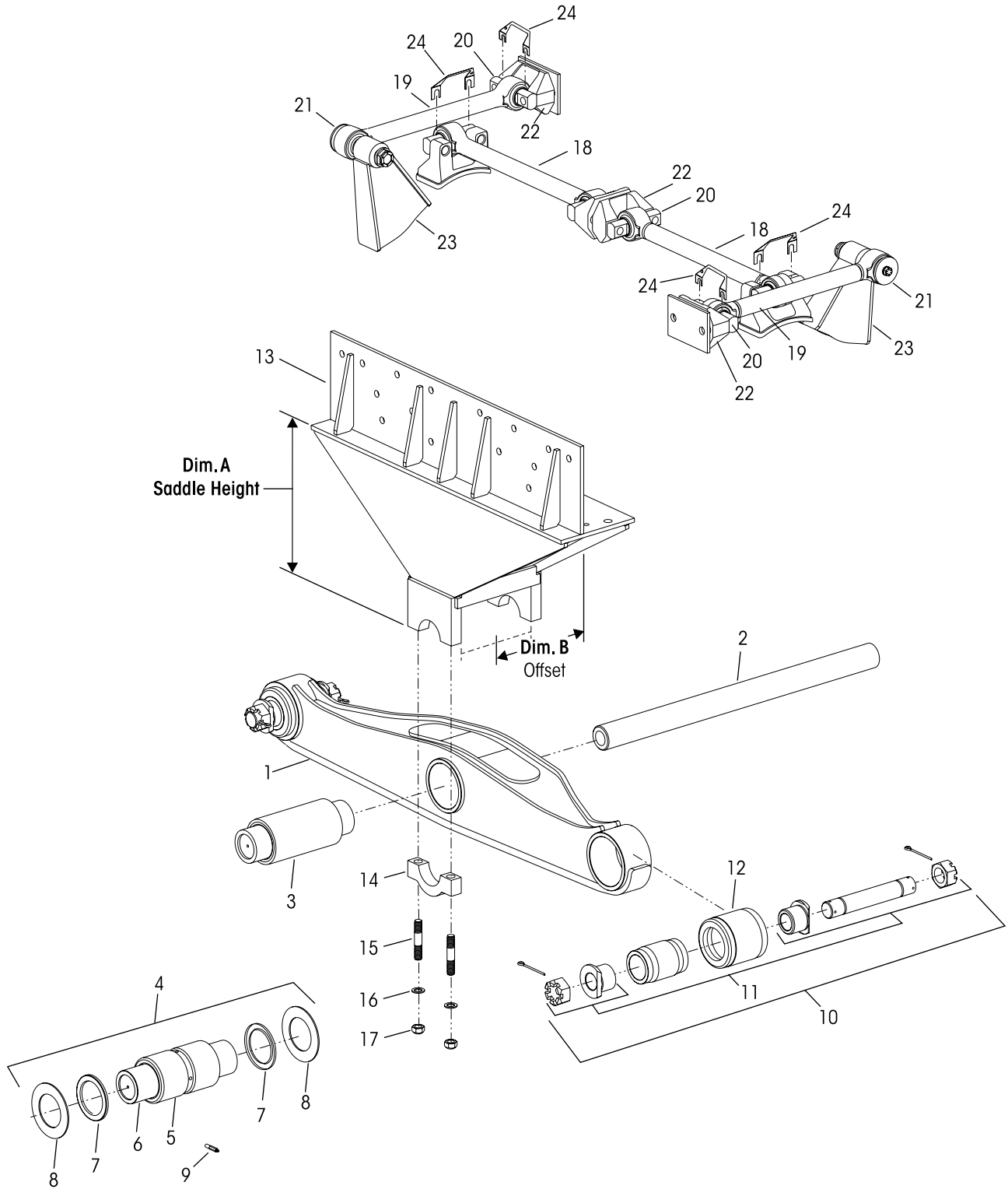


KEY NO.	PART NO.	DESCRIPTION	VEHICLE QTY.	KEY NO.	PART NO.	DESCRIPTION	VEHICLE QTY.
1		Equalizing Beam Assembly, <i>See Selection Guide 45745-147</i>	2	20		End Bushing	4
a		Fabricated Beam		29878-001L		R 48K, 5¾" Length	
b		Cast Beam		45407-000L		R 52K, 6" Length	
2		Cross Tube, <i>See selection guide on Page 11</i>	1	21		Saddle Assembly, Includes Key Nos. 22-25 <i>See Chart Below</i>	2
	44643-XXX	R 48K, Specify Length		22	58795-000	Saddle Cap	4
	07622-XXX	R 52K, Specify Length		23	06696-000	⅞"-14 UNF Stud	8
3		Rubber Center Bushing, Requires Transverse Rods 2 <i>See Center Bushing End Plug Selection Guide Page on 11</i>	2	24	22962-002	⅞" Hardened Washer	8
	29483-005L	Welded End Plug		25	04842-000	⅞"-14 UNF Locknut	8
	34013-097L	w/Loose End Plug		26		***One-piece Longitudinal Torque Rod Assembly, Straddle/Straddle, Specify Length in mm ULTRA ROD, Includes Key No. 28a	
4	30437-000L	<b>Bronze Center Bushing Kit, Two Beams,</b> Includes Key Nos. 5-9		62000-XXX		Front	1
5	30240-002L	Bronze Center Bushing	2	62001-XXX		Rear	1
6	14685-000L	Beam Center Sleeve	2			ULTRA ROD PLUS, Includes Key No. 28b	
7	30334-000	Beam Center Seal	4	72000-XXX		Front	1
8	32365-000	Thrust Washer	8	72001-XXX		Rear	1
9	30087-000	Grease Fitting	As Req. 2	27		****One-piece Transverse Torque Rod Assembly, Straddle/Taper, Specify Length in mm	2
		<b>Bar Pin End Bushing Kit, One Wheel End,</b>		62350-XXX		ULTRA ROD, Includes Key Nos. 28a-29a	
10	34013-087L	Non-Shim Type, Includes Key Nos. 13a, 14		72350-XXX		ULTRA ROD PLUS, Includes Key Nos. 28b-29b	
11	34013-088L	Shim Type, Includes Key Nos. 12a, 13b, 14		92350-XXX		XTRB, Includes Key Nos. 28c-29c	
	34013-188L	Rotating Shim Type, (Not Shown) Includes Key Nos. 12a, 13c, 14		28		Straddle Bushing	6
12		Bar Pin Shim	8	a	47691-000L	ULTRA ROD	
a	50131-000	0.25" / 0.12" Standard		b	64400-002L	ULTRA ROD PLUS	
b	50130-000	0.19" / 0.19" Optional		c	66649-002L	XTRB	
c	57026-000	0.375" Optional flat shim		29		Taper Bushing	2
13		**Bar Pin End Bushing	4	a	64697-000L	ULTRA ROD	
a		Non-Shim Type		b	64400-004L	ULTRA ROD PLUS	
b		Shim Type		c	66649-004L	XTRB	
c		Rotating, Shim Type (Not Shown)				<b>Two-Piece Torque Rod Assembly with Bushings Service Kit</b>	
14	34013-104	<b>Bar Pin End Bushing Fastener Kit, One Wheel End,</b> Includes Key Nos. 15-17		60218-000		ULTRA ROD Straddle/Straddle	
15		**1"-8 UNC x 6" Hex Bolt	8	60215-000		ULTRA ROD Straddle/Taper	
16		**1" Hardened Washer	16	65781-000		ULTRA ROD PLUS Straddle/Taper	
17		**1"-8 UNC Locknut	8	65781-001		XTRB Straddle/Straddle	
18		<b>End Bushing and Adapter Kit, One Wheel End,</b>		65781-002		XTRB Straddle/Taper	
	34013-050L	R 48K, Includes Key Nos. 19a, 20		30	22186-000	Torque Rod Bracket	4
	34013-051L	R 52K, Includes Key Nos. 19b, 20		31	45045-003	Back-up Plate (for Torque Rod)	2
19		<b>End Bushing Adapter Kit, One Wheel End,</b>		32		*Transverse Rod Axle Bracket	2
a	21140-034L	R 48K • 52K, for 5¾" Bushing		33	49689-000L	Torque Rod Shim	As Req.
b	21140-033L	R 52K, for 6" Bushing		Not Shown	70867-001	P-80 Lubricant - 10 ml per Rubber Bushing	1

KEY NO. 21

SADDLE ASSEMBLY – R 48K • 52K

Dim. A Saddle Height	Dim. B Offset	Part No.	Dim. A Saddle Height	Dim. B Offset	Part No.
12⅞"	23 mm	50210-003	15⅞"	23 mm	50210-001
15½"	23 mm	50210-006	16⅞"	23 mm	50210-005
		50210-008	17"	17.5 mm	50210-001
			17⅞"	23 mm	50210-002





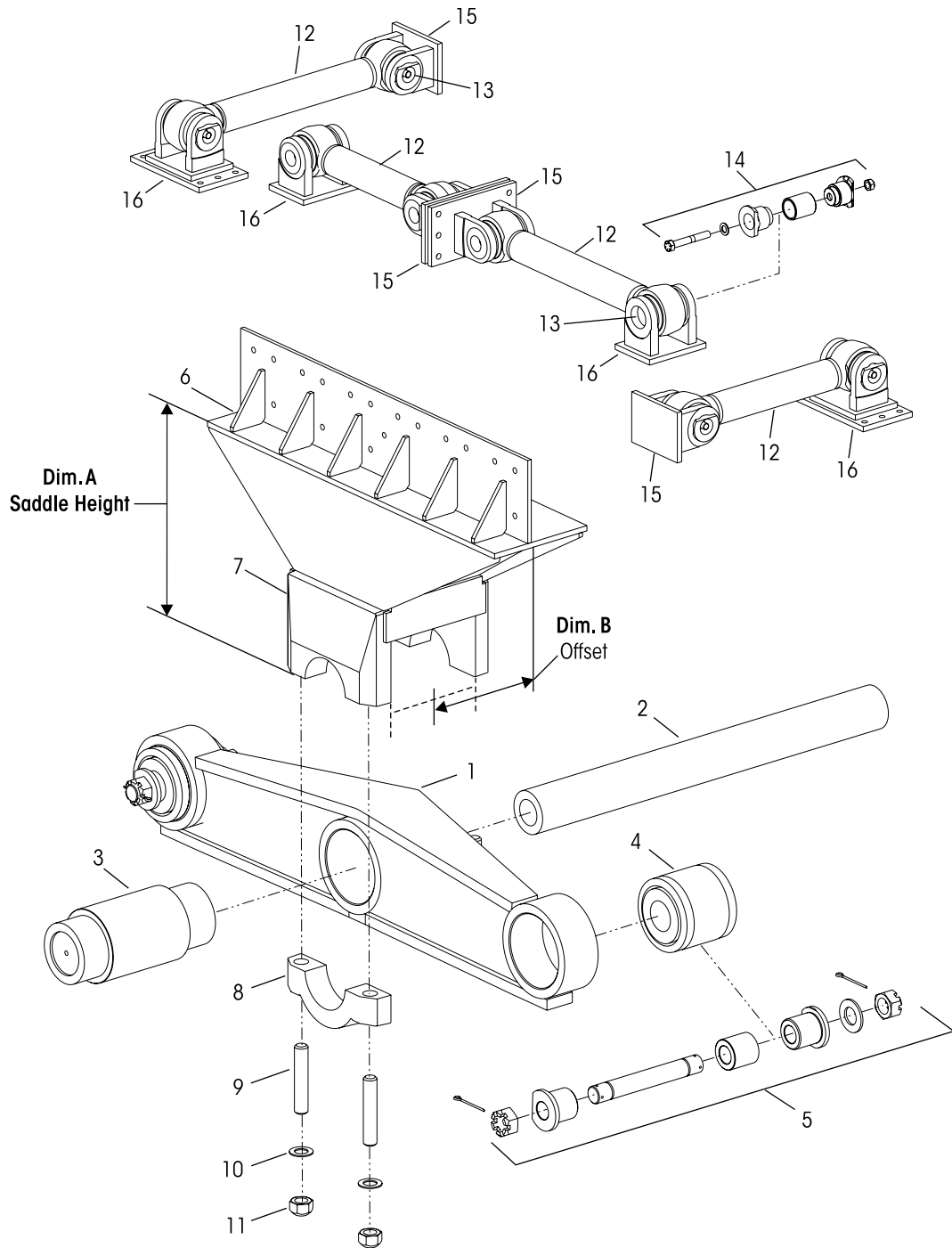
KEY NO.	PART NO.	DESCRIPTION	VEHICLE QTY.
1		Equalizing Beam Assembly <i>See Selection Guide 45745-147</i>	2
2		Cross Tube, <i>See Selection Guide on 11</i>	1
3	10366-000L	Rubber Center Bushing	2
4		<b>Bronze Center Bushing Kit</b> , Includes Key Nos. 5-9	
	45374-000	Two Beams	
	34013-055L	One Beam	
5	30240-005	Bronze Center Bushing	2
6	25102-000	Beam Center Sleeve	2
7	31577-000	Beam Center Seal	4
8	45261-000	Thrust Washer	4
9	30087-000	Grease Fitting	As Req. 2
10		<b>Rubber End Bushing and Adapter Service Kit, Tandem Set</b>	
	34013-052L	for 6" Bushing, Includes Key Nos. 11a, 12a	
	34013-110L	for 7" Bushing, Includes Key Nos. 11b, 12b	
11		<b>End Bushing Adapter Kit, One Wheel End</b>	
a	21140-007	6" Length	
b	21140-004L	7" Length	
12		End Bushing	4
a	10363-000L	6" Length	
b	10364-000L	7" Length	
13		Saddle Assembly, Includes Key Nos. 14-17 <i>See Chart Below</i>	2

KEY NO.	PART NO.	DESCRIPTION	VEHICLE QTY.
14	31205-005	Saddle Cap	4
15	06696-000	7/8"-14 UNF Stud	8
16	22962-002	7/8" Hardened Washer	8
17	04842-000	7/8"-14 UNF Locknut	8
18		***One-piece Longitudinal Torque Rod Assembly, Straddle/Straddle, Specify Length in mm	2
	72100-XXX	ULTRA ROD PLUS, Includes Key No. 20a	
19		****One-piece Transverse Torque Rod Assembly, Straddle/Taper, Specify Length in mm	2
	72850-XXX	ULTRA ROD PLUS, Includes Key Nos. 20a-21a	
	92950-XXX	XTRB, Includes Key Nos. 20b-21b	
20		Straddle Bushing	6
a	64400-003L	ULTRA ROD PLUS	
b	66649-003L	XTRB	
21		Taper Bushing	2
a	64400-006L	ULTRA ROD PLUS	
b	66649-004L	XTRB	
22	46015-000	Torque Rod Bracket	4
23		*Transverse Torque Rod Axle Bracket	2
24	67779-002	Torque Rod Shim	As Req.
Not Shown	70867-001	P-80 Lubricant - 10 ml per Rubber Bushing	1

KEY NO. 13

R 65K SADDLE ASSEMBLY

Dim. A Saddle Height	Dim. B Offset	Part No.	Dim. A Saddle Height	Dim. B Offset	Part No.
18 <sup>15</sup> / <sub>16</sub> "	50.8 mm	30950-103	20 <sup>1</sup> / <sub>2</sub> "	47.6 mm	30950-088
19"	50.8 mm	30950-047	20 <sup>9</sup> / <sub>16</sub> "	50.8 mm	30950-097
	58.7 mm	30950-094	22 <sup>13</sup> / <sub>16</sub> "	55.6 mm	30950-081
20 <sup>1</sup> / <sub>4</sub> "	31.8 mm	30950-080	23"	58.7 mm	30950-095
	60 mm	30950-092			







KEY NO.	PART NO.	DESCRIPTION	VEHICLE QTY.	KEY NO.	PART NO.	DESCRIPTION	VEHICLE QTY.
1		Equalizing Beam Assembly Includes Key Nos. 3, 4 • R 85K	2	7		Saddle Lower Plate Assembly, Includes Key Nos. 8-11 R 85K	2
	07500-620	58" Length			18750-001	R 85K	
	07500-604	60" Length			49237-000	R 100K • 120K	
	07500-180	64" Length		8		Saddle Cap	4
	07500-068	72" Length			15785-000	R 85K	
	07500-432	75" Length			47552-000	R 100K • 120K	
		• R 100K • 120K		9		Saddle Cap Stud	8
	07500-579	64" Length			10948-000	R 85K - 1"-14 UNS	
	07500-615	80" Length			13411-000	R 100K • 120K - 1½"-12 UNF	
2		Cross Tube, <i>See Selection Guide on 11</i>	1	10		Hardened Washer	8
3		Rubber Center Bushing, One per Beam	2		22962-006	R 85K - 1"	
	15464-000	R 85K			22962-030	R 100K • 120K - 1½"	
	14110-000	R 100K • 120K		11		Locknut	8
4		End Bushing	4		08017-000	R 85K - 1"-14 UNS	
	10363-000L	6" Length			47042-000	R 100K • 120K - 1½"-12 UNF	
	10364-000L	7" Length		12	13422-XXX	****Torque Rod Assembly, <i>See Selection Guide below</i>	4
	15424-000	7¾" Length		13	06966-000	Torque Rod Bushing	8
5		<b>End Bushing Adapter Fastener Kit, One Wheel End</b>		14	45000-011L	<b>Torque Rod End Adapter Kit</b>	8
	21140-026	R 85K - w/Adapter Tube		15	65133-000	Torque Rod Bracket	4
	21140-043	R 85K - w/Special Nut		16		Torque Rod Axle Bracket	4
	21140-024	R 100K • 120K - w/Adapter Tube			47924-000	*R 85K • R 100K R 120K	
6	30950-XXX	Saddle Assembly, Contact Hendrickson Truck Parts for Part Number	2				

KEY NO. 12	TORQUE ROD ASSEMBLY R 85K • 100K • 120K					
	Length	Part No.	Length	Part No.	Length	Part No.
	16¼"	13422-019	23½"	13422-044	28"	13422-070
	18¾"	13422-060	23¾"	13422-014	28½"	13422-024
	19½"	13422-036	24"	13422-027	29¼"	13422-046
	20"	13422-013	24⅝"	13422-052	29½"	13422-071
	20½"	13422-067	24½"	13422-017	30"	13422-009
	21"	13422-056	24¾"	13422-055	30¾"	13422-018
	21⅝"	13422-022	25"	13422-031	31"	13422-025
	21¼"	13422-064	25½"	13422-023	31¾"	13422-020
	21⅝"	◆13422-053	26"	13422-005	32"	13422-012
	21½"	13422-039	26½"	13422-002	32½"	13422-004
	21¾"	13422-068	26¾"	13422-010	33"	13422-003
	22"	13422-029	27"	13422-033	35"	13422-008
	22½"	13422-026	27¼"	13422-011	35⅝"	13422-061
	22¾"	13422-069	27½"	13422-040	36"	13422-001
	23"	13422-063	27¾"	13422-045	40"	13422-037

◆ No longer available, replaced by 13422-064

## ■ Special Tools

### BAR PIN STYLE END BUSHING TOOLS

#### INSTALLATION TOOL

**Hendrickson Part No. 66086-103**

**OTC Part No. 1757**

Visit [otctools.com](http://otctools.com)



Use with the equalizing beam removed from the truck, and in conjunction with OTC No. 51100 press plate and a 100-ton hydraulic shop press.

#### REMOVAL TOOLS

**Hendrickson Part No. 66086-104**

**OTC Part No. 206457**

Visit [otctools.com](http://otctools.com)



**Hendrickson Part No. 66086-105**

**OTC Part No. 302030**

Visit [otctools.com](http://otctools.com)



### ADAPTER STYLE END BUSHING TOOL SET • RUBBER CENTER BUSHING



#### 28K-52K lb. Capacity Bushings

**Hendrickson Part No. 66086-102**

**OTC Part No. 1764**

Visit [otctools.com](http://otctools.com)

Use with the equalizing beam removed from the truck and a 100-ton or larger hydraulic shop press.



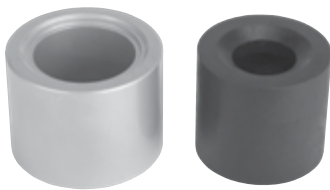
#### 65K-85K lb. Capacity Bushings

**Hendrickson Part No. 66086-101**

**OTC Part No. 1763**

Visit [otctools.com](http://otctools.com)

### RUBBER CENTER BUSHING TOOLS



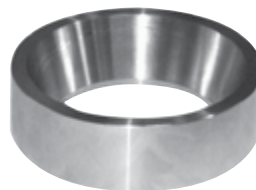
#### 40K lb. Capacity Bushings

**Hendrickson Part No. 66086-100**

**OTC Part No. 1746**

Visit [otctools.com](http://otctools.com)

### TORQUE ROD BUSHING FUNNEL TOOLS



**ULTRA ROD – Hendrickson Part No. 66086-001L**

**ULTRA ROD PLUS – Hendrickson Part No. 66086-000L**



■ Selection Guide

KEY NO. 2							
CROSS TUBES							
R 40K • 46K • 48K		R 52K		R 65K • 85K		R 100K • 120K	
Length	Part Number	Length	Part Number	Length	Part Number	Length	Part Number
33 <sup>3</sup> / <sub>8</sub> "	44643-027	46"	07622-003	34 <sup>3</sup> / <sub>4</sub> "	10397-015	44 <sup>1</sup> / <sub>2</sub> "	13504-004
40 <sup>3</sup> / <sub>4</sub> "	44643-011	53"	07622-018	40"	10397-018	46"	13504-008
42"	44643-008	64"	07622-031	40 <sup>3</sup> / <sub>4</sub> "	10397-014	46 <sup>3</sup> / <sub>4</sub> "	13504-002
44 <sup>7</sup> / <sub>8</sub> "	44643-009	68"	07622-014	41"	10397-019	49"	13504-001
46"	44643-003			41 <sup>3</sup> / <sub>4</sub> "	10397-009	50 <sup>3</sup> / <sub>4</sub> "	13504-009
47"	44643-002			42"	10397-001	53"	13504-012
48"	44643-001			42 <sup>1</sup> / <sub>2</sub> "	10397-021	54 <sup>3</sup> / <sub>4</sub> "	13504-006
49 <sup>1</sup> / <sub>4</sub> "	44643-024			43 <sup>1</sup> / <sub>4</sub> "	10397-017	56"	13504-013
51"	44643-015			44 <sup>3</sup> / <sub>4</sub> "	10397-002	59"	13504-005
53"	44643-018			46"	10397-010	60 <sup>1</sup> / <sub>4</sub> "	13504-003
54 <sup>1</sup> / <sub>2</sub> "	44643-017			46 <sup>1</sup> / <sub>2</sub> "	10397-020	62 <sup>1</sup> / <sub>4</sub> "	13504-011
57"	44643-010			47 <sup>1</sup> / <sub>2</sub> "	10397-027		
64"	44643-028			50"	10397-013		
68"	44643-014			51 <sup>1</sup> / <sub>4</sub> "	10397-003		
77"	44643-029			52 <sup>3</sup> / <sub>4</sub> "	10397-006		
				54"	10397-025		
				56 <sup>1</sup> / <sub>2</sub> "	10397-016		
				61 <sup>1</sup> / <sub>4</sub> "	10397-008		
				62 <sup>3</sup> / <sub>4</sub> "	10397-031		
				67 <sup>1</sup> / <sub>2</sub> "	10397-004		
				75 <sup>3</sup> / <sub>4</sub> "	10397-029		

KEY NO. 3, Pages 3 and 5

♦Corresponding Center Bushing End Plugs for Cross Tube Replacement – 40K through 52K Only				
	Rubber Center Bushing Part Number	End Plug Part Number	Beam Center Sleeve Bushing Part Number	End Plug Part Number
40K • 46K	49400-000L • 49600-000L	22281-000	14685-000L	57263-000
40K • 46K • 48K • 52K	29483-005L • 34013-097L			
♦ Hendrickson recommends for higher capacity walking beam suspensions removal of the equalizing beam to replace the cross tube. Refer to Hendrickson publication No. 17730-190 for more information.				

**NOTE:** \* Not supplied by Hendrickson, used for reference only. Hendrickson is not responsible for components supplied by the vehicle manufacturer. For assistance with maintenance and rebuild instructions on these components see vehicle manufacturer.

\*\* Item included in kit/assembly only, part not sold separately.

\*\*\* Hendrickson's part number is stamped on the torque rod for identification. Be sure to include the suffix number when ordering, this number indicates torque rod length. Hendrickson's two-piece ULTRA ROD can be used to create the desired length, see literature number 45745-148.

\*\*\*\* Refer to Hendrickson Literature No. 59310-004 for mandatory requirements of transverse torque rods.

This is a general parts list to provide directional information. Components may vary by model. Questions in regards to parts, contact Hendrickson Truck Parts at 1.866.755.5968 (Toll-free U.S. and Canada), 630.910.2800 (Outside U.S. and Canada) or e-mail: [truckparts@hendrickson-intl.com](mailto:truckparts@hendrickson-intl.com).

---

[www.hendrickson-intl.com](http://www.hendrickson-intl.com)



Truck Commercial Vehicle Systems  
800 South Frontage Road  
Woodridge, IL 60517-4904 USA

1.866.755.5968 (Toll-free U.S. and Canada)  
630.910.2800 (Outside U.S. and Canada)  
Fax 630.910.2899