

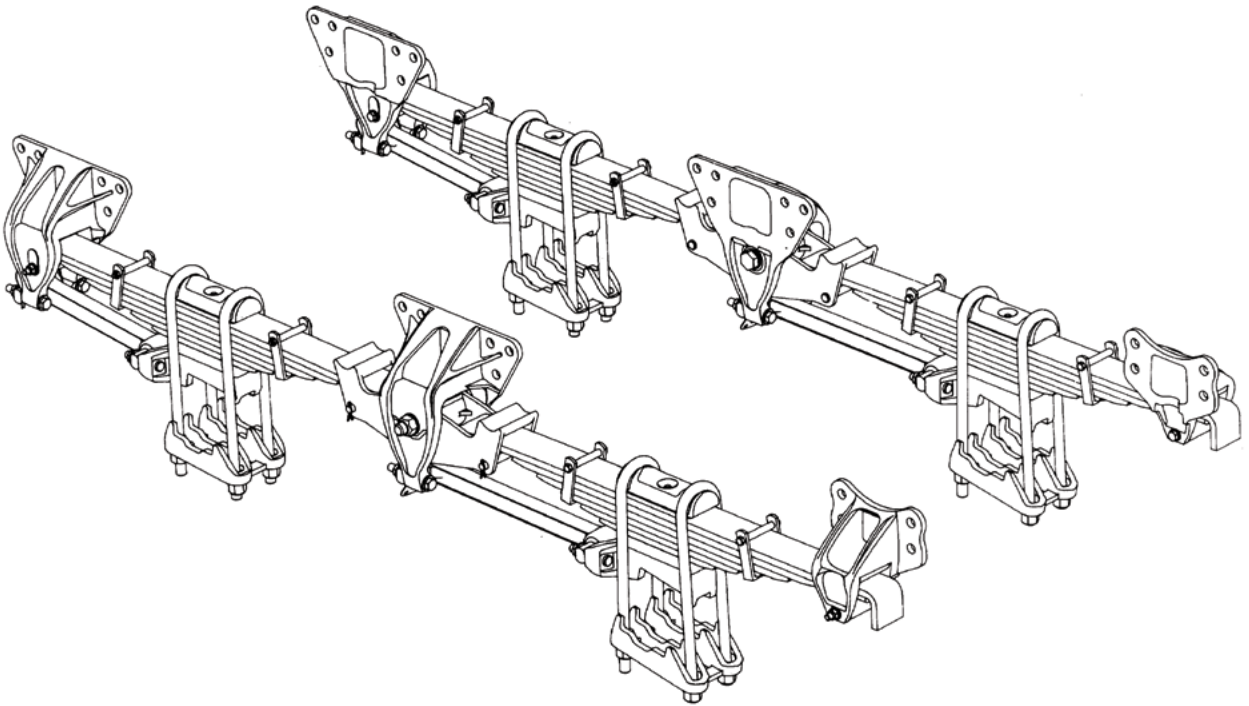
H PARTS LIST

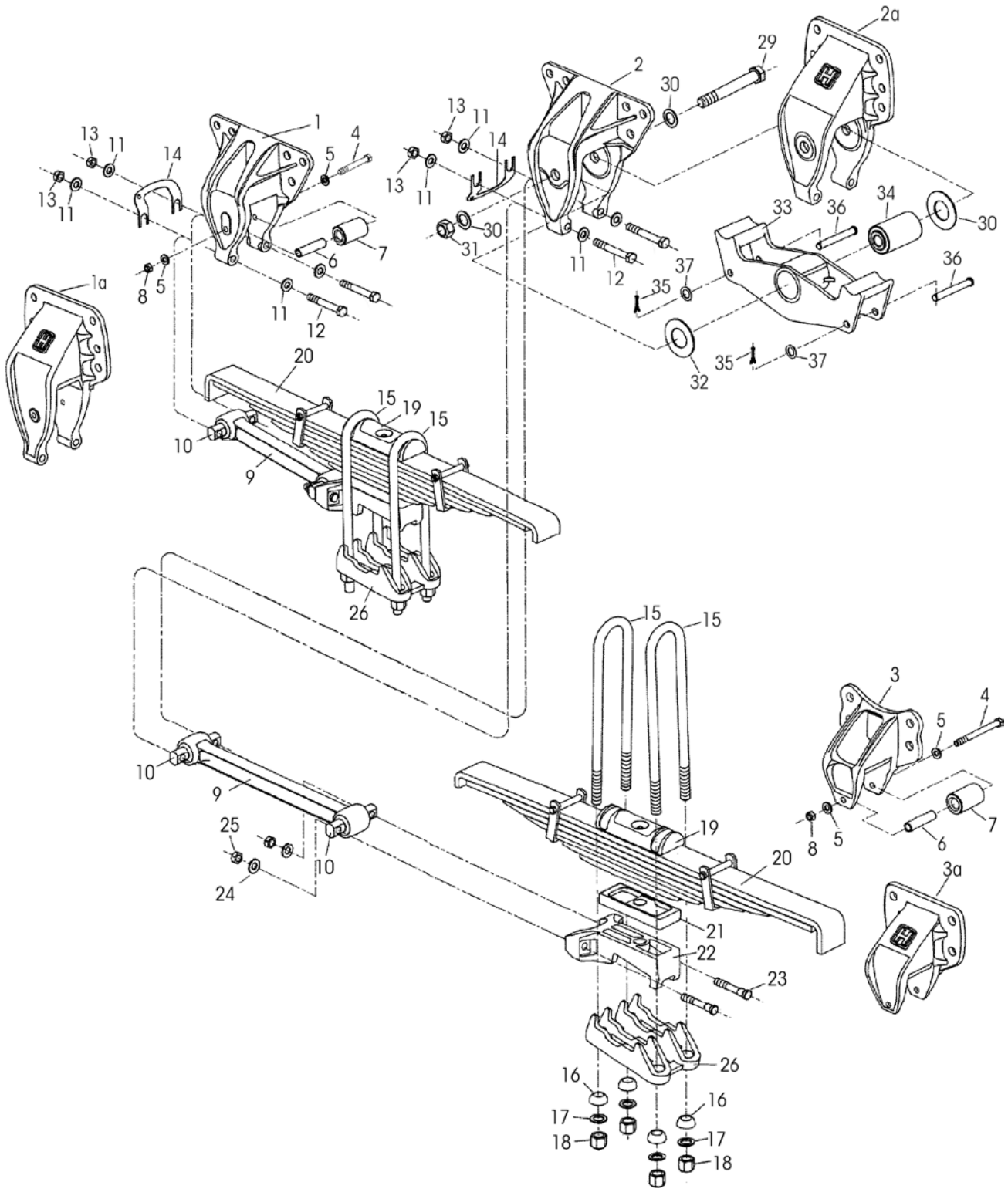
HFS 36K • 40K LH • 40K

LIT NO: SP-148

DATE: July 2016

REVISION: E







VEHICLE				VEHICLE				
KEY NO.	PART NO.	DESCRIPTION	QTY.	KEY NO.	PART NO.	DESCRIPTION	QTY.	
1		Front Spring Hanger	2	19	50788-000	Top Pad, Included with Key No. 20		
	56667-001	*Casting No. 56666-000, 49848-000, <i>Replaces 50027-001 - HFS 36K</i>		20		Spring Assembly	4	
	56670-001	Casting No. 56669-000, 50291-000, <i>Replaces 50292-001 - HFS 40K • 40K LH</i>			50795-000	HFS 36K • 40KLH		
a	56673-001	Casting No. 56672-000	2		50796-000	HFS 40K		
	56830-	Casting No. 56829-000 (Specify Customer)		21		Spacer	As Req.	
2		Center Spring Hanger	2		48902-000	1"		
	56676-001	Casting No. 56675-000, 50289-000, <i>Replaces 50290-001</i>			48903-000	1½"		
a	56927-004	*Casting No. 56832-000, <i>Replaces 56833-003</i>	2	22		*Spring Seat Front, Includes Key Nos. 23-25 (Rockwell SL, SQ-100, RT34-145, RT40-145, Eaton D341, D402)	2	
	56927-	Casting No. 56926-000, Specify Customer			50569-001	*Casting No. 50567-000		
3		Rear Spring Hanger	2		50569-004	2¼° Pinion Angle		
	50028-001	Casting No. 49954-000			50569-004	3¼° Pinion Angle		
a	48530-004	Casting No. 48991-000, <i>Replaces 47436-003</i>	2		50569-007	4° Pinion Angle		
	48530-	Casting No. 48529-000, Specify Customer			50569-010	5° Pinion Angle		
	49175-013	Rebound Roller Kit , Includes Key Nos. 4-8 <i>Replaces 49175-005</i>	1			*Casting No. 50573-000		
4	24531-015	½"-13 UNC Rebound Bolt	4		50575-001	9½° Pinion Angle		
5	22962-014	½" Hardened Flat Washer	8		50575-004	10½° Pinion Angle		
6	57988-000	Rebound Bolt Spacer, <i>Replaces 47458-000</i>	4		50575-009	12° Pinion Angle		
7	57989-000	Rebound Roller, <i>Replaces 48883-000</i>	4	23	49063-000	5/8"-11 UNC Spring Seat Bolt	8	
8	49846-000	½"-13 UNC Rebound Bolt Nut, <i>Replaces 46578-000</i>	4	24	22962-004	5/8" Hardened Flat Washer	8	
9		Shim Type Adjustable Torque Rod Assembly		25	47764-000	5/8"-11 UNC Axle Cap Nut	8	
	48411-006	14.41" Front		26		Axle Bottom Cap	4	
	48411-007	*20.31" Rear			50216-000L	(Rockwell RT34-145, RT40-145)		
10	47691-000L	Torque Rod Bushing	8		50222-000	LHF/RHF/LHR/RHR 0-9½° Pinion Angle		
	49176-001L	Torque Rod Fastener Kit , Includes Key Nos. 11-13	1		50222-000	LHR/RHR 10-12½° Pinion Angle		
11	22962-004	5/8" Hardened Flat Washer	16		50216-000L	(Rockwell SL-100, SQ-100, Eaton D341, D402)		
12	32043-005	5/8" -11 UNC x 4½" Torque Rod Bolt	8		50217-000	LHF/RHR 0-9½° Pinion Angle		
13	47764-000	5/8" -11 UNC Torque Rod Nut	8		50222-000	RHF 0-9½° Pinion Angle		
14	49689-000	Torque Rod Shim	As Req.		50222-000	LHR 0-9½° Pinion Angle, <i>Replaces 50218-000</i>		
15		U-bolt (Specify Length)	16		50222-006	*LHR 10-12½° Pinion Angle, <i>Replaces 50221-000</i>		
	49684-XXX	¾" - HFS 40K LH			50222-000	RHR 10-12½° Pinion Angle		
	47417-XXX	7/8" - HFS 36K • 40K		27	30550-035	1" Center Bushing Bolt	2	
16		Spherical Washer	16	28	22962-006	1" Hardened Flat Washer	4	
	49947-000	¾" - HFS 40KLH		29	08017-000	1" Center Bushing Nut	2	
	48574-000	7/8" - HFS 36K • 40K		30	47416-000	Thrust Washer	4	
17		Hardened Flat Washer	16	31	49803-002	Equalizing Beam Assembly, Includes Key Nos. 32-35, Casting No. 49801-002, <i>Replaces 49803-003</i>	2	
	22962-001	¾" - HFS 40KLH			32	47420-000	Center Bushing, <i>Replaces 48402-000</i>	2
	22962-002	7/8" - HFS 36K • 40K		33	17800-013	Cotter Pin	4	
18		U-bolt Locknut	16	34	50432-000	Clevis Pin	4	
	49685-000	¾" - HFS 40KLH		35	50924-000	5/8" Hardened Washer	4	
	50765-000	7/8" - HFS 36K • 40K						

NOTES: * No longer available. Contact Hendrickson to upgrade to a conversion.

This is a general parts list to provide directional information. Components may vary by model. Questions in regards to parts, contact Hendrickson Truck Parts at 1.866.755.5968 (Toll-free U.S. and Canada), 630.910.2800 (Outside U.S. and Canada) or e-mail: truckparts@hendrickson-intl.com.

www.hendrickson-intl.com



Truck Commercial Vehicle Systems
800 South Frontage Road
Woodridge, IL 60517-4904 USA

1.866.755.5968 (Toll-free U.S. and Canada)
630.910.2800 (Outside U.S. and Canada)
Fax 630.910.2899