

# H IFS

The Hendrickson IFS delivers superior ride and handling compared to standard front mechanical and air suspensions. With 57 degrees of wheel cut, the IFS provides exceptional maneuverability in tight spaces. The cutting-edge short / long arm design provides superior handling both on the open highway and over rough roads, providing peace of mind that enables you to enjoy your RVing experience. **Capacities of 12,600 and 14,600 lbs.\***



### Maintenance and Durability

- The two-piece knuckle design makes replacing the kingpin bushing easier
- Durable rubber bushings require no lubrication

### Outstanding Stability and Handling

The advanced short / long arm design reduces bump steer and helps keep tires in better contact with the road surface throughout suspension travel

### Superb Ride

The shock and spring travel directly proportional to wheel travel, resulting in superior ride and handling

- Air springs deliver an extremely soft ride for enhanced driver and passenger comfort
- Hendrickson IFS utilizes premium shocks that have been tested and tuned specifically for the IFS system

### Up to 57 Degrees of Wheel Cut

Exceptional maneuverability in tight spaces, such as campgrounds and gas stations



# H HTB™

Hendrickson's lightweight, non-torque reactive HTB™ rear air suspension system combines superior ride, improved stability, reduced weight and reduced scheduled maintenance. The parallelogram design controls suspension windup and corresponding frame rise, while reducing suspension-induced driveline vibration to extend driveline component life and passenger comfort. **Capacity of 20,000 lbs.\***

*Integrated tag axle is available on certain motorhome models.*

### Reduced Weight

Highly efficient and lightweight design

### Exceptional Stability and Handling

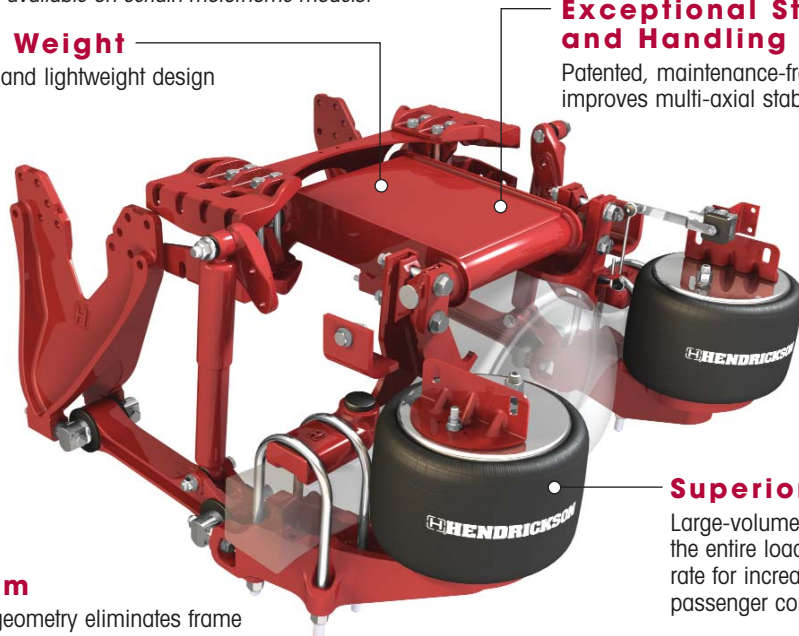
Patented, maintenance-free torque box system improves multi-axial stability and control

### Superior Ride

Large-volume air springs support the entire load to improve spring rate for increased driver and passenger comfort

### Non-torque Reactive System

- Unique parallelogram geometry eliminates frame rise and helps reduce suspension-induced driveline vibration
- Pinion angle remains constant even with changes in ride height



*For The Road Ahead™*

\*Contact your Spartan dealer for suspension availability on specific chassis.

# H AIRTEK®

A Spartan chassis equipped with Hendrickson's AIRTEK® integrated front air suspension and steer axle combines simple, functional design and advanced technology for superior ride, stability and handling. The same smooth, comfortable ride that cradles passengers and drivers helps reduce vibration-induced wear-and-tear on the motorhome itself to help extend overall vehicle and component durability. **Capacities of 10,500, 12,000, 12,600 and 14,600 lbs.\***



## Outstanding Stability

- Box shaped cross-section is more rigid than traditional I-beam axles
- Optional dual height control valves react quickly to maintain proper ride height for shifting or unequal loads

## Weight Savings

The unique design of the STEERTEK axle contributes to a lightweight design

## Superb Ride and Handling

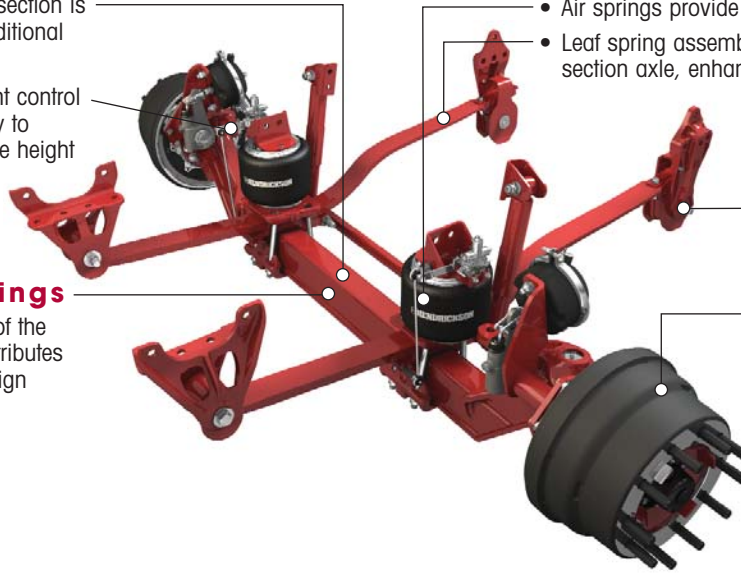
- Air springs provide a softer, more comfortable ride
- Leaf spring assembly forms torsion system with box section axle, enhancing roll stability characteristics

## Maintenance and Durability

Durable front and rear bushings require no lubrication

## Up to 55 Degrees of Wheel Cut

Superior maneuverability in tight spaces, such as campgrounds and gas stations



# H HAS™

The durable construction of Hendrickson's HAS™ rear air suspension improves handling characteristics and reduces scheduled maintenance. Large volume air springs and premium shock absorbers provide a softer ride and greater protection from the effects of road shock on your chassis, equipment, drivers and passengers. **Capacity of 20,000 lbs.\***

## Exceptional Stability and Handling

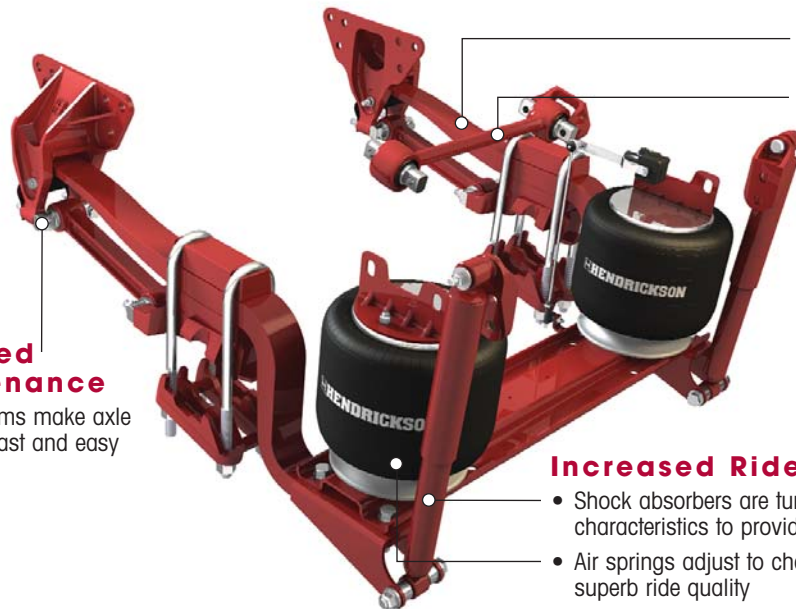
- Main support member provides neutral roll steer for better handling
- Durable ULTRA ROD® enhances handling during cornering by controlling lateral forces to maintain axle position

## Reduced Maintenance

Drop-in shims make axle alignment fast and easy

## Increased Ride Comfort

- Shock absorbers are tuned for optimum damping characteristics to provide maximum driving comfort
- Air springs adjust to changing load conditions to deliver superb ride quality



*\*Contact your Spartan dealer for suspension availability on specific chassis.*

The suspension products advertised herein are designed, manufactured, distributed and sold by Hendrickson. Spartan offers the products advertised herein as components on some of Spartan's finished vehicles. Product claims, representations and instructions in this publication are made solely by Hendrickson, and Spartan assumes no responsibility therefore whatsoever.

45745-301 05-07 © 2007 Hendrickson USA, L.L.C. (U.S. Rights) Hendrickson International Corporation (Rights Outside U.S.) All Rights Reserved



www.hendrickson-intl.com