

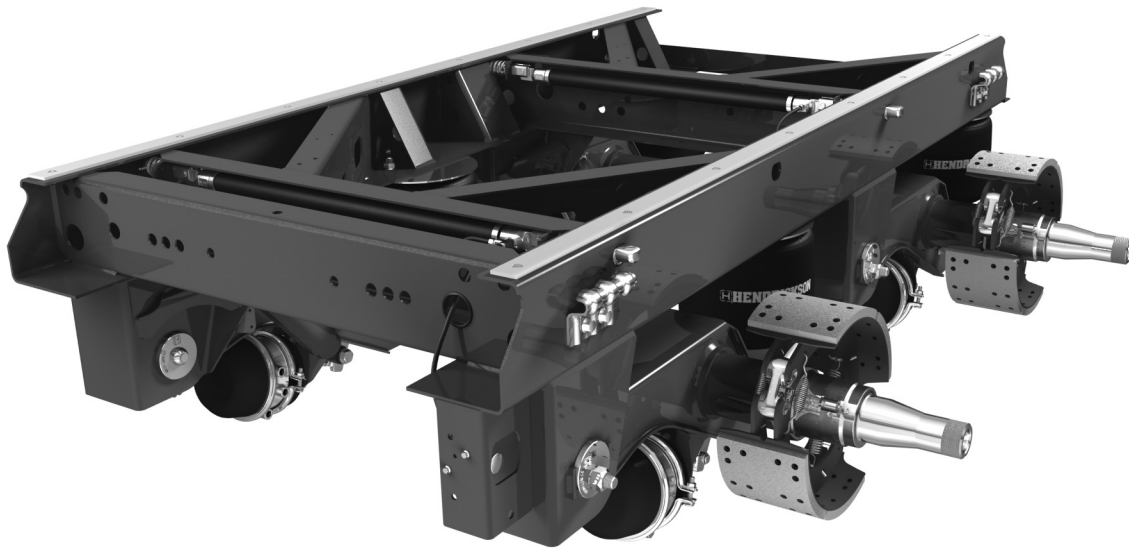
H PARTS LIST

VANTRAAX® HKAL 46K

LIT NO: L1080

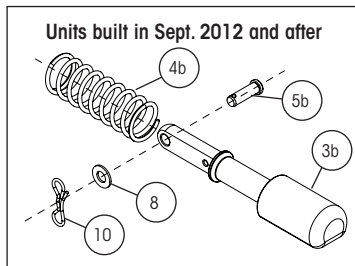
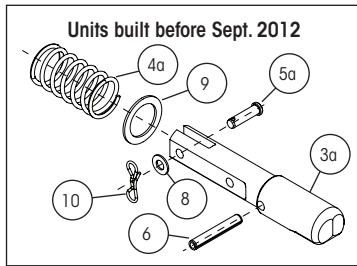
DATE: June 2016

REVISION: C

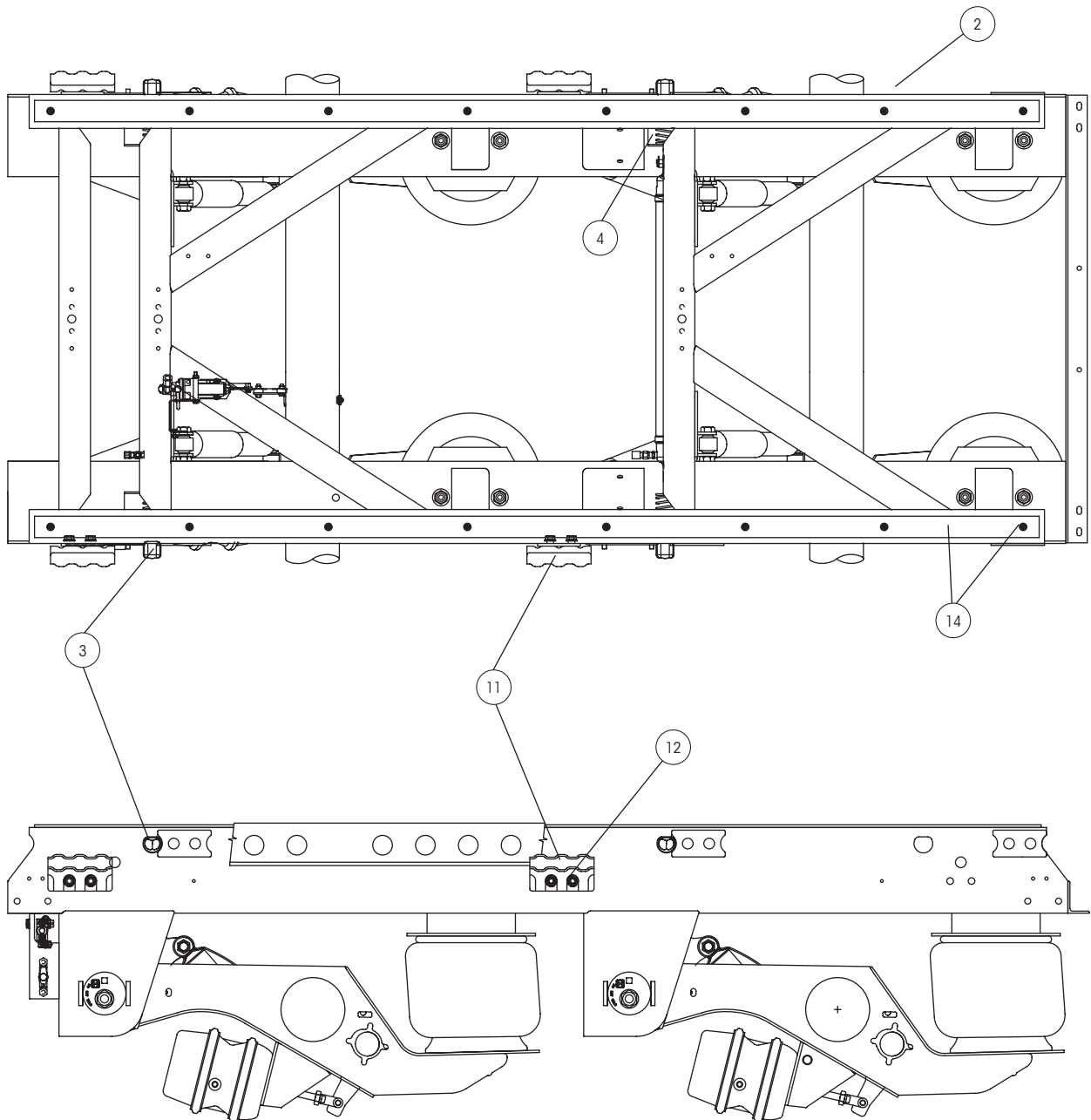
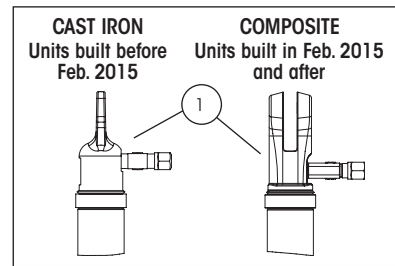




SLIDER PINS



QUIK-DRAW® ACTUATOR ENDS



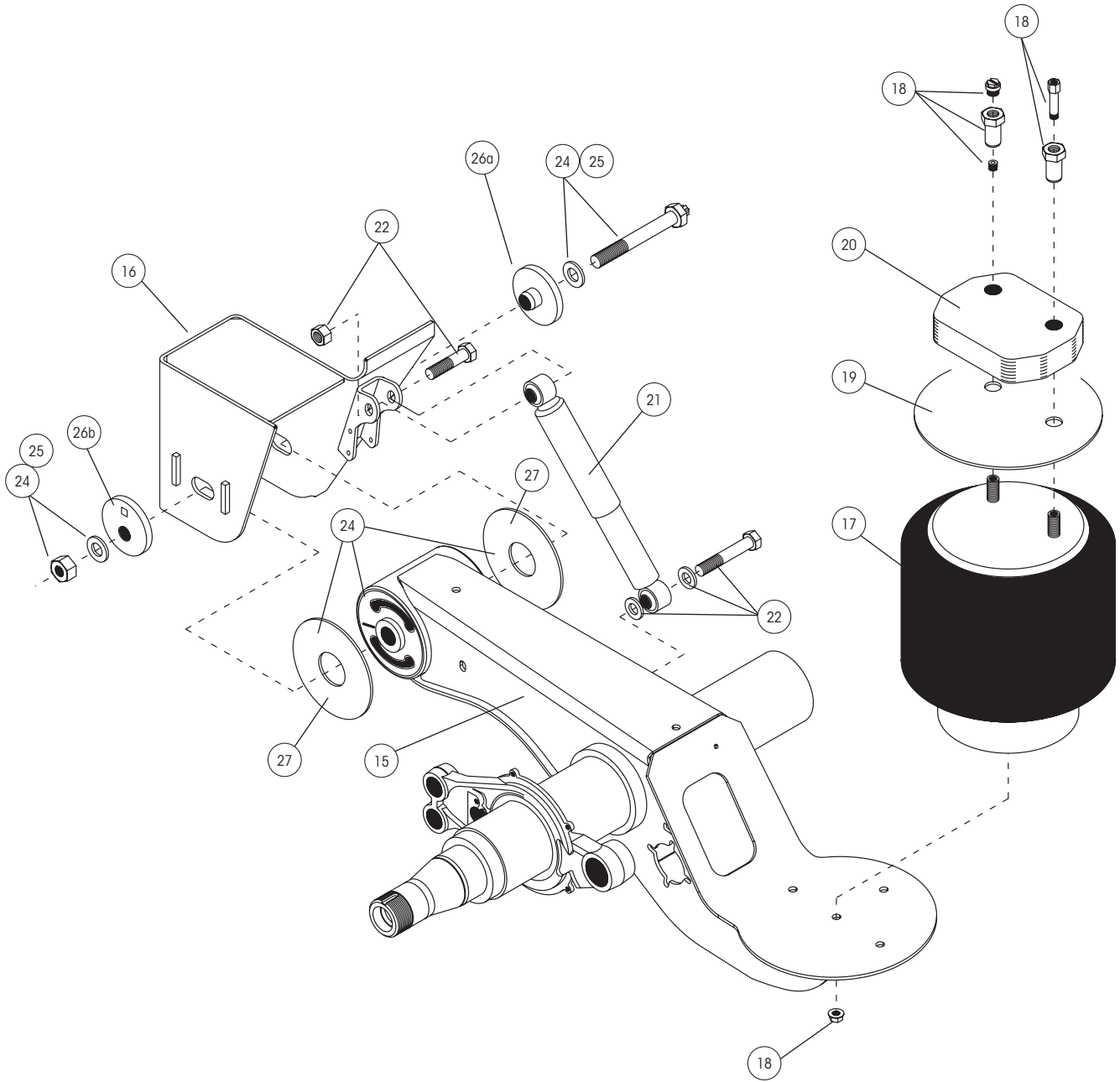
Note: Identification tag can be found on the roadside slider box rail above the front frame bracket. There will also be a blank INTRAAX® tag on the inside of the curbside beam.

**SLIDER BOX ASSEMBLY**

ITEM	DESCRIPTION	PART NO.	SYSTEM QTY.	NOTE
1	QUIK-DRAW[®] PNEUMATIC PIN-PULL MECHANISM			Refer to L751 - QUIK-DRAW Parts List
2	AFTERMARKET SLIDER BOX REPLACEMENT	AMBOX.###	1	Please contact Hendrickson for assistance
3a	LOCKING PIN (Units built before Sept. 2012)			
	1.375" diameter pin	S-28290	4	4" (TTMA) & 6" body rail hole spacing
	1.625" diameter pin	S-28289	4	4" body rail hole spacing
3b	LOCKING PIN (Units built in Sept. 2012 and after)			
	1.375" diameter pin	S-32389	4	4" (TTMA) & 6" body rail hole spacing
	1.625" diameter pin	S-32388	4	4" body rail hole spacing
4a	LOCKING PIN SPRING (Units built before Sept. 2012)			
	48" box with QUIK-DRAW	B-28930	4	3.25" spring
	42" box with QUIK-DRAW	B-22000	4	3.8" spring
4b	LOCKING PIN SPRING (Units built in Sept. 2012 and after)			
	42", 48" and 54" box with QUIK-DRAW	B-32500	4	4.5" spring
5a	CLEVIS PIN (Units built before Sept. 2012)	SA-5200-6	4	$\frac{3}{8}$ " \times $1\frac{3}{8}$ "
5b	CLEVIS PIN (Units built in Sept. 2012 and after)			
	Cast iron end	SA-5200-8	4	$\frac{3}{8}$ " \times 1.16"
	Composite end	SA-5200-10	4	$\frac{3}{8}$ " \times 1.82"
6	SPRING PIN (Units built before July 2014)	SA-8100-4	4	$\frac{3}{8}$ " \times $2\frac{1}{2}$ " roll pin
7	LOCKING PIN LINK (Not shown)			
	42" box	S-32967-1	2	
	48" box	S-32967-2	2	
	54" box	S-32967-3	2	
8	LOCKING PIN WASHER	SA-1500-2	6	$\frac{3}{8}$ " I.D. flat washer
9	PIN WASHER (Units built before July 2014)	S-30641	1	
10	LOCKING COTTER PIN	SA-1700-12	6	$\frac{3}{32}$ " \times 1" cotter pin
11	BODY RAIL CLIP			
	11a 3.4" clip height	S-24459	4	Use with 1.625" locking pin and 4" body rail hole spacing or 1.375" locking pin and 4" body rail hole spacing (TTMA)
	11b 3.8" clip height	S-24460	4	Use with 1.375" locking pin and 6" body rail hole spacing
12	BODY RAIL BOLT	SA-6900-2	8	$\frac{1}{2}$ "-13 \times $1\frac{1}{2}$ " flanged bolt
13	BODY RAIL CLIP SPACER (Not shown)	A-22367	4	2" clip hole centers
14	SLIDER WEAR PAD KIT	S-14342-3	2	Includes (1) slider wear pad and hardware

Note: Narrow hanger shown. Pin pull mechanisms are identical for both wide and narrow width slider models.

Note: Identification tag can be found on the roadside slider box rail above the front frame bracket. There will also be a blank INTRAAX[®] tag on the inside of the curbside beam.



Note: Identification tag can be found on the roadside slider box rail above the front frame bracket. There will also be a blank INTRAAX® tag on the inside of the curbside beam.

**SUSPENSION ASSEMBLIES**

ITEM	DESCRIPTION	PART NO.	SYSTEM QTY.	NOTE
15	AXLE / BEAM WELDMENT	HTRAAX.###	2	Contact Hendrickson for assistance
16	FRAME BRACKET ASSEMBLY			
	Roadside	D-26067-1L	2	10" ride heights
	Curbside	D-26067-1R	2	10" ride heights
	Roadside	S-33173-2L	2	11" ride heights
	Curbside	S-33173-2R	2	11" ride heights
17	AIR SPRING	S-23613		
18	AIR SPRING MOUNTING KIT (per air spring)	S-22631/2	2	Includes Spiralock nuts, pipe plug and flange nut
19	AIR SPRING PLATE	S-23294	2	
20	UPPER AIR SPRING SPACER	B-22510-2		10" and 11" ride height (1.875" thick)
21	SHOCK ABSORBER	S-23566	4	Standard duty
22	SHOCK BOLT KIT (per shock)	S-24757/2	4	Includes shear bolt, spacer, washers, hex bolt and hex nut
23	SHOCK STRAP KIT (Not shown)	C-23086-1	4	Includes (2) straps, (2) clevis and (4) ties
24	TRI-FUNCTIONAL® PIVOT BUSHING KIT ¹	S-24691	2	Includes (1) bushings, (1) pivot bolt kit, (2) bushing tube spacers and lubricant pack
25	QUIK-ALIGN® PIVOT BOLT KIT	S-24679	2	Contains 10" bolt, nut and hardened washers
26	ALIGNMENT COLLAR			
	26a Concentric	S-20924	4	Pivot bolt hole is centered
	26b Eccentric	S-20925	4	Pivot bolt hole is offset from center
27	BUSHING TUBE SPACER	S-21099		

OTHER PARTS LISTS

More information can be found in the following documents

Lit. Number	Description
L751	QUIK-DRAW® Parts List
L1055	SURELOK® Parts List

1. Bushing tool S-21307 is required to properly re-bush the suspension.

Note: Identification tag can be found on the roadside slider box rail above the front frame bracket. There will also be a blank INTRAAX® tag on the inside of the curbside beam.

Call Hendrickson at **330.489.0045** or **866.RIDEAIR (743.3247)** for additional information.



www.hendrickson-intl.com

TRAILER COMMERCIAL VEHICLE SYSTEMS

2070 Industrial Place SE
Canton, OH 44707-2641 USA
866.RIDEAIR (743.3247)
330.489.0045 • Fax 800.696.4416

Hendrickson Canada

250 Chrysler Drive, Unit #3
Brampton, ON Canada L6S 6B6
800.668.5360
905.789.1030 • Fax 905.789.1033

Hendrickson Mexicana

Circuito El Marqués Sur #29
Parque Industrial El Marqués
Pob. El Colorado, Municipio El Marqués,
Querétaro, México C.P. 76246
+52 (442) 296.3600 • Fax +52 (442) 296.3601