

H PARTS LIST

SOFTEK® NXT Front Steer Axle and Suspension System for Peterbilt Vehicles

LIT NO.: SP-289

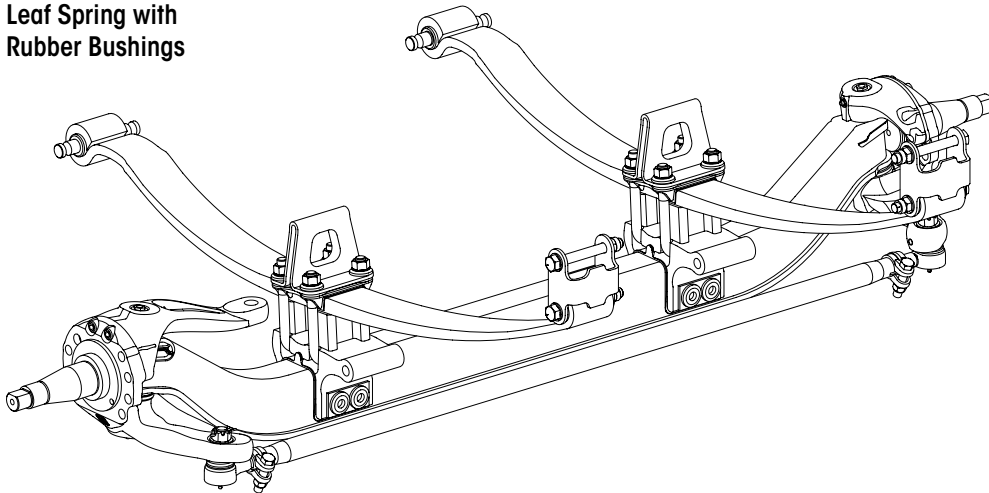
DATE: February 2017

REVISION: D

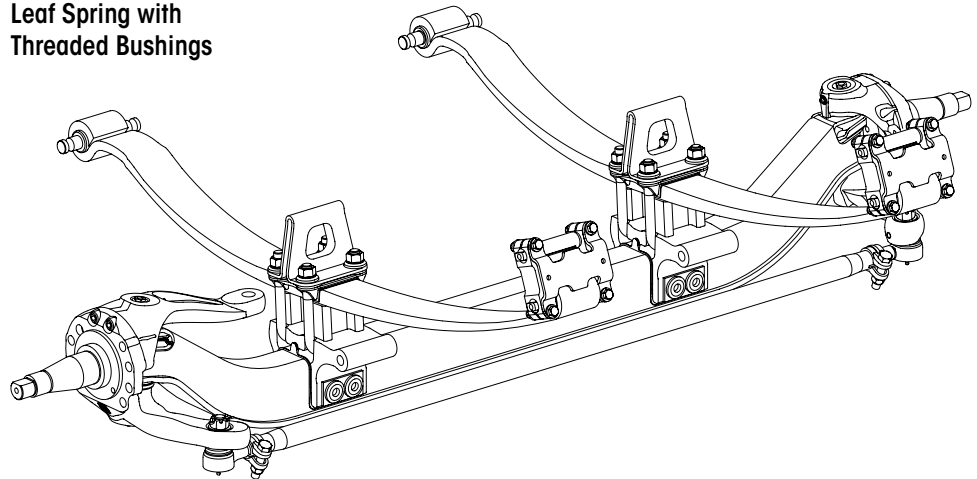
CONTENTS

DESCRIPTION	PAGE
Parts List	
■ Leaf Spring Assembly with Rubber Bushings	2
■ Leaf Spring Assembly with Threaded Bushings	4
Special Tools	6

Leaf Spring with Rubber Bushings

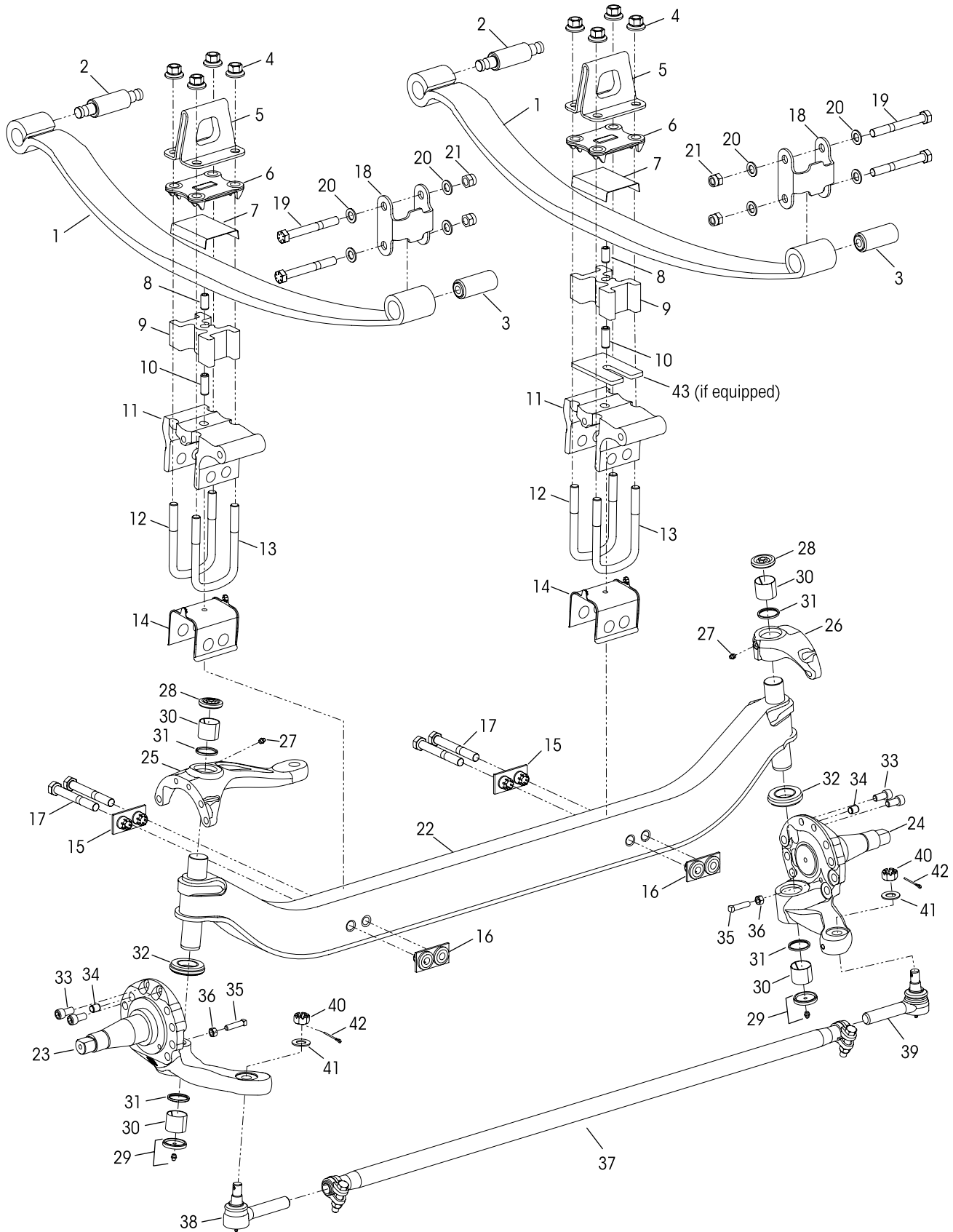


Leaf Spring with Threaded Bushings



12.5K / 13.2K Capacity

Leaf Spring Assembly with Rubber Bushings





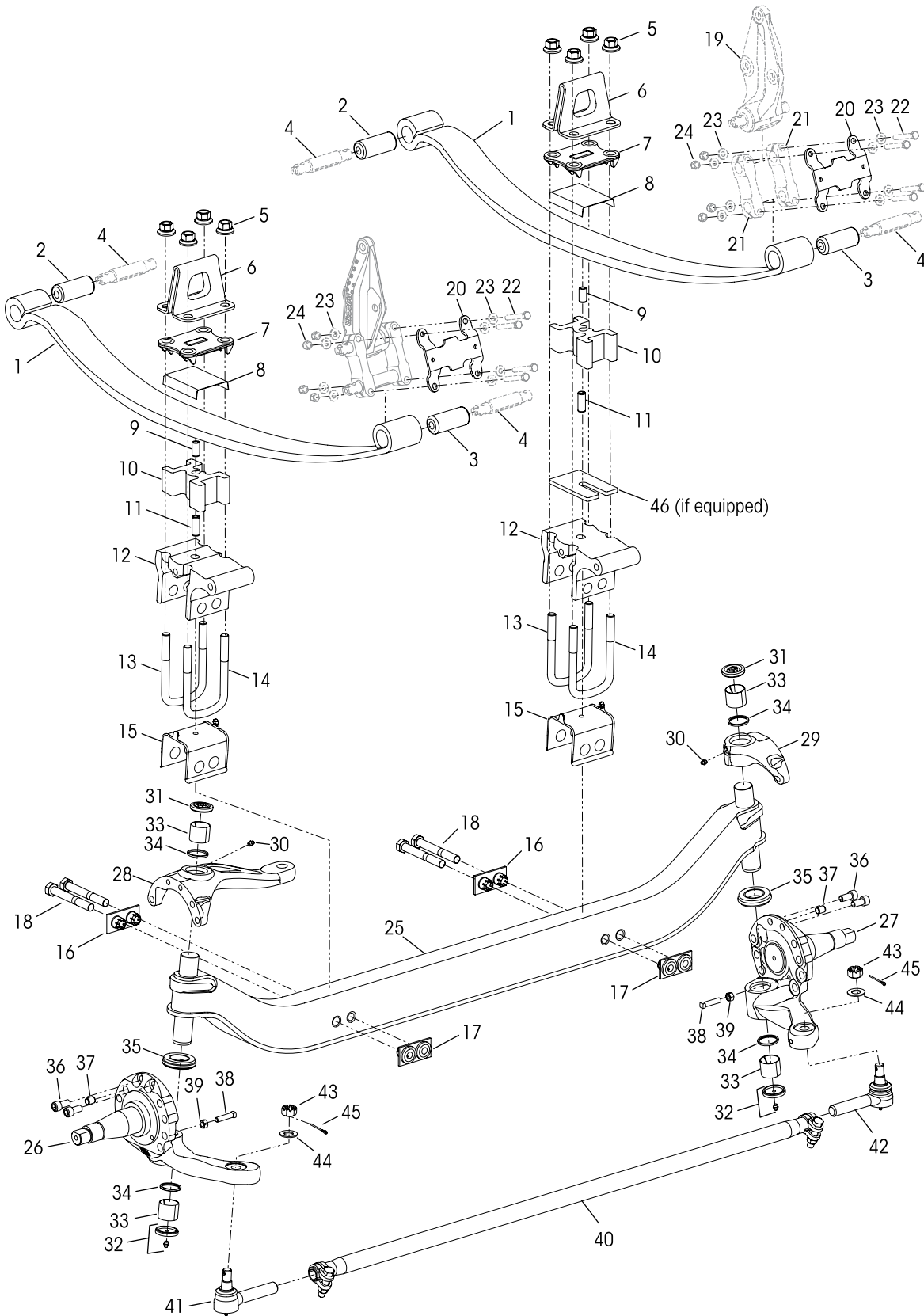
KEY NO.	PART NO.	DESCRIPTION	VEHICLE QTY.	KEY NO.	PART NO.	DESCRIPTION	VEHICLE QTY.
		Leaf Spring and Clamp Group Assembly Service Kit, One Side, Includes Key Nos. 1-17					
	60961-813	10" Ride Height, 12.5K		17		*M20 X 2.5-6G x 160 mm Hex Cap Screw	4
	60961-854	10" Ride Height, 13.2K			60961-803	Rear Shackle Service Kit, One Side, Includes Key Nos. 18-21	
	60961-814	8½" Ride Height, 12.5K		18	70795-001	Shackle	2
	60961-855	8½" Ride Height, 13.2K		19	21867-023	¾"-16 UNF x 6½" Hex Bolt	4
	60961-815	6½" Ride Height, 12.5K		20	22962-001	¾" Washer	8
	60961-856	6½" Ride Height, 13.2K		21	17700-035	¾"-16 UNF-2B Nylocknut	4
1		Leaf Spring Assembly, Includes Key Nos. 2-3	2	22		Axle and Kingpin Assembly	1
	53765-000	12.5K Capacity			70685-001	12.5K	
	53984-000	13.2K Capacity			70685-101	12.5K, 6½" Ride Height Only	
	60961-820	Front Spring Eye Bushing Service Kit, One Side, Includes Key Nos. 2, 4, 4			78685-001	13.2K	
2		*Front Bar Pin Spring Eye Bushing	2		78685-101	13.2K, 6½" Ride Height Only	
	60961-821	Rear Spring Eye Bushing Service Kit, One Side, Includes Key Nos. 3, 4, 4		23		LH Lower Steering Knuckle Assembly, Includes Key Nos. 29, 31, 34-36 and Kingpin Bushings	1
3		*Rear Thru-bolt Spring Eye Bushing	2		58900-499	241"-290" Wheelbase	
	60961-804	Clamp Group Service Kit, One Side, Includes Key Nos. 4, 7, 14-17, Key No. 12-13 U-bolts to be purchased separately			58900-497	191"-240" Wheelbase	
4	75989-000	M20 x 1.5-6H Two-piece Nut	8		58900-495	140"-190" Wheelbase	
5	70690-001	Jounce Stop	2	24		RH Lower Steering Knuckle Assembly, Includes Key Nos. 29, 31, 34-36 and Kingpin Bushings	1
6	70688-001	Top Pad	2		58900-500	241"-290" Wheelbase	
7	75990-000	Leaf Spring Liner	2		58900-498	191"-240" Wheelbase	
8		Upper Slotted Spring Pin	2		58900-496	140"-190" Wheelbase	
	76897-013	10" Ride Height, 12.5K / 13.2K		25	60903-472	LH Upper Steering Knuckle Assembly, Includes Key Nos. 27-28, 31 and Kingpin Bushings	1
	76897-015	8½" Ride Height, 12.5K		26	60904-402	RH Upper Steering Knuckle Assembly, Includes Key Nos. 27-28, 31 and Kingpin Bushings	1
	76897-005	8½" Ride Height, 13.2K			60961-630	Kingpin Bushing and Roller Thrust Bearing Service Kit, One Side, Includes Key Nos. 27-33, Loctite	
	76897-016	6½" Ride Height, 12.5K		27	33117-000	Grease Zerk	2
	76897-012	6½" Ride Height, 13.2K		28	68687-003	Grease Cap Assembly, Upper	2
9		Leaf Spring Spacer	2	29	68687-002	Grease Cap Assembly, Lower	2
	70694-001	10" Ride Height, 12.5K		30	78320-001	Kingpin Bushing	4
	70694-003	10" Ride Height, 13.2K		31	68731-000	Kingpin Seal	4
	70694-002	8½" Ride Height, 12.5K		32	64256-000	Roller Thrust Bearing	2
	70694-004	8½" Ride Height, 13.2K		33	60236-001	5/8"-11 UNC Socket Head Cap Screw	4
	77808-001	6½" Ride Height, 12.5K			60937-000	Loctite® (Red) Compound Tube (Not Shown)	1
	70694-005	6½" Ride Height, 13.2K		34	64246-000	ABS Sensor Sleeve	2
10	76897-001	Lower Slotted Spacer Pin (10" Ride Height Only)	2		60961-069	Stop Bolt Service Kit, One End, Includes Key Nos. 35-36	
11	75986-001	Axle Wrap / Shock Bracket	2	35	60238-001	½"-13 UNC x 2" Square Head Bolt	2
12		U-bolt - Front	2	36	60240-000	½"-13 UNC Hex Jam Nut	2
	77132-180	10" Ride Height, 12.5K, <i>Replaces 77132-190</i>		37		Tie Rod Assembly, Includes Key Nos. 38-40	1
	77132-190	10" Ride Height, 13.2K			76877-003	241"-290" Wheelbase	
	77132-140	8½" Ride Height, 12.5K, <i>Replaces 77132-150</i>			76877-002	191"-240" Wheelbase	
	77132-150	8½" Ride Height, 13.2K			76877-005	140"-190" Wheelbase	
	77132-120	6½" Ride Height, 12.5K, <i>Replaces 77132-130</i>			60961-734	Tie Rod End Service Kit, Axle Set, Includes Kit Nos. 60961-736 and 60961-741	
	77132-130	6½" Ride Height, 13.2K			60961-736	LH Tie Rod End Service Kit, Includes Key Nos. 38, 40-42	
13		U-bolt - Rear	2		60961-741	RH Tie Rod End Service Kit, Includes Key Nos. 39-42	
	77132-190	10" Ride Height, 12.5K		38	70995-001	LH Tie Rod End	1
	77132-200	10" Ride Height, 13.2K		39	70995-002	RH Tie Rod End	1
	77132-150	8½" Ride Height, 12.5K		40		*7/8" Castle Nut	2
	77132-160	8½" Ride Height, 13.2K		41	22962-007	7/8" Flat Washer	2
	77132-130	6½" Ride Height, 12.5K		42	17800-004	Tie Rod Nut Cotter Pin	2
	77132-140	6½" Ride Height, 13.2K		43	78578-001	**Chassis Spacer (if equipped)	1
	60961-802	Axle Clamp Service Kit, One Side, Includes Key Nos. 14-17		44	69125-001	Loctite® 680 (Green) Compound Tube (Not Shown)	1
14		*Axle Wrap Liner	2				
		*Axle Clamp					
15		Front - Unthreaded	2				
16		Rear - Threaded	2				

NOTE: * Item included in kit/assembly only, part not sold separately.

** Chassis spacer (if equipped) can be located on either left or right side of suspension.

12.5K / 13.2K Capacity

Leaf Spring Assembly with Threaded Bushings





KEY NO.	PART NO.	DESCRIPTION	VEHICLE QTY.	KEY NO.	PART NO.	DESCRIPTION	VEHICLE QTY.
		Leaf Spring and Clamp Group Assembly Service Kit, One Side, Includes Key Nos. 1-3, 5-18		19		*Rear Hanger	2
	60961-848	10" Ride Height, 12.5K		20	79381-001	Shackle Plate	2
	60961-849	10" Ride Height, 13.2K		21		*Shackle	4
	60961-850	8½" Ride Height, 12.5K		22		*M12 Hex Bolt	8
	60961-851	8½" Ride Height, 13.2K		23		*M12 Washer	16
	60961-852	6½" Ride Height, 12.5K		24		*M12 Nylocknut	8
	60961-853	6½" Ride Height, 13.2K		25		Axle and Kingpin Assembly	1
1		Leaf Spring Assembly, Includes Key Nos. 2-3	2		70685-001	12.5K	
	53963-000	12.5K Capacity			70685-101	12.5K, 6½" Ride Height Only	
	53964-000	13.2K Capacity			78685-001	13.2K	
2	52700-000	Front Spring Pin Bushing	2		78685-101	13.2K, 6½" Ride Height Only	
3	53980-000	Rear Threaded Bushing	2	26		LH Lower Steering Knuckle Assembly, Includes Key Nos. 32,34, 37-39 and Kingpin Bushings	1
4		*Threaded Bar Pin	2		58900-499	241"-290" Wheelbase	
	60961-804	Clamp Group Service Kit, One Side, Includes Key Nos. 5, 8, 15-18, Key No. 13-14 U-bolts to be purchased separately			58900-497	191"-240" Wheelbase	
5	75989-000	M20 x 1.5-6H Two-piece Nut	8		58900-495	140"-190" Wheelbase	
6	70690-001	Jounce Stop	2	27		RH Lower Steering Knuckle Assembly, Includes Key Nos. 32,34, 37-39 and Kingpin Bushings	1
7	70688-001	Top Pad	2		58900-500	241"-290" Wheelbase	
8	75990-000	Leaf Spring Liner	2		58900-498	191"-240" Wheelbase	
9		Upper Slotted Spring Pin	2		58900-496	140"-190" Wheelbase	
	76897-013	10" Ride Height, 12.5K / 13.2K		28	60903-472	LH Upper Steering Knuckle Assembly, Includes Key Nos. 30-31, 34 and Kingpin Bushing	1
	76897-015	8½" Ride Height, 12.5K		29	60904-402	RH Upper Steering Knuckle Assembly, Includes Key Nos. 30-31, 34 and Kingpin Bushing	1
	76897-005	8½" Ride Height, 13.2K			60961-630	Kingpin Bushing and Roller Thrust Bearing Service Kit, One Side, Includes Key Nos. 30-36, Loctite	
	76897-016	6½" Ride Height, 12.5K		30	33117-000	Grease Zerk	2
	76897-012	6½" Ride Height, 13.2K		31	68687-003	Grease Cap Assembly, Upper	2
10		Leaf Spring Spacer	2	32	68687-002	Grease Cap Assembly, Lower	2
	70694-001	10" Ride Height, 12.5K		33	78320-001	Kingpin Bushing	4
	70694-003	10" Ride Height, 13.2K		34	68731-000	Kingpin Seal	4
	70694-002	8½" Ride Height, 12.5K		35	64256-000	Roller Thrust Bearing	2
	70694-004	8½" Ride Height, 13.2K		36	60236-001	5/8"-11 UNC Socket Head Cap Screw	4
	77808-001	6½" Ride Height, 12.5K			60937-000	Loctite® (Red) Compound Tube (Not Shown)	1
	70694-005	6½" Ride Height, 13.2K		37	64246-000	ABS Sensor Sleeve	2
11	76897-001	Lower Slotted Spacer Pin (10" Ride Height Only)	2		60961-069	Stop Bolt Service Kit, One End, Includes Key Nos. 38-39	
12	75986-001	Axle Wrap / Shock Bracket	2	38	60238-001	½"-13 UNC x 2" Square Head Bolt	2
13		U-bolt - Front	2	39	60240-000	½"-13 UNC Hex Jam Nut	2
	77132-180	10" Ride Height, 12.5K		40		Tie Rod Assembly, Includes Key Nos. 41-43	1
	77132-190	10" Ride Height, 13.2K			76877-003	241"-290" Wheelbase	
	77132-140	8½" Ride Height, 12.5K			76877-002	191"-240" Wheelbase	
	77132-150	8½" Ride Height, 13.2K			76877-005	140"-190" Wheelbase	
	77132-120	6½" Ride Height, 12.5K			60961-734	Tie Rod End Service Kit, Axle Set, Includes Kit Nos. 60961-736 and 60961-741	
	77132-130	6½" Ride Height, 13.2K			60961-736	LH Tie Rod End Service Kit, Includes Key Nos. 41, 43-45	
14		U-bolt - Rear	2		60961-741	RH Tie Rod End Service Kit, Includes Key Nos. 42-45	
	77132-190	10" Ride Height, 12.5K		41	70995-001	LH Tie Rod End	1
	77132-200	10" Ride Height, 13.2K		42	70995-002	RH Tie Rod End	1
	77132-150	8½" Ride Height, 12.5K		43		**7/8" Castle Nut	2
	77132-160	8½" Ride Height, 13.2K		44	22962-007	7/8" Flat Washer	2
	77132-130	6½" Ride Height, 12.5K		45	17800-004	Tie Rod Nut Cotter Pin	2
	77132-140	6½" Ride Height, 13.2K		46	78578-001	***Chassis Spacer (if equipped)	1
	60961-802	Axle Clamp Service Kit, One Side, Includes Key Nos. 15-18		47	69125-001	Loctite® 680 (Green) Compound Tube (Not Shown)	1
15		**Axle Wrap Liner	2				
		**Axle Clamp					
16		Front - Unthreaded	2				
17		Rear - Threaded	2				
18		**M20 X 2.5-6G x 160 mm Hex Cap Screw	4				

NOTE: * Not supplied by Hendrickson, used for reference only. Hendrickson is not responsible for components supplied by vehicle manufacturer. For more information and assistance with maintenance and rebuild instructions on these components see vehicle manufacturer.

** Item included in kit/assembly only, part not sold separately.

*** Chassis spacer (if equipped) can be located on either left or right side of suspension.

■ Special Tools

LEAF SPRING BUSHING INSTALLATION AND REMOVAL TOOLS

Hendrickson Part No. 66086-300

OTC Part No. 4274 Visit otctools.com



Hendrickson Part No. 66086-301

OTC Part No. 4275 Visit otctools.com



Hendrickson Part No. 66086-302

OTC Part No. 4250 Visit otctools.com

NOTE: In conjunction with Hendrickson Part No. 66086-301 (OTC 4275) this additional adapter tool kit is available to purchase to be used on Hendrickson PRIMAXX EX • COMFORT AIR • V-Ride rear air suspensions (not needed for this front suspension).



ADJUSTABLE STRAIGHT FLUTE REAMER

The dimension of cutting diameter must facilitate a range of 1.802" – 1.812"



This is a general parts list to provide directional information. Components may vary by model. Questions in regards to parts, contact Hendrickson Truck Parts at 1.866.755.5968 (Toll-free U.S. and Canada), 630.910.2800 (Outside U.S. and Canada) or e-mail: truckparts@hendrickson-intl.com.

www.hendrickson-intl.com



Truck Commercial Vehicle Systems
800 South Frontage Road
Woodridge, IL 60517-4904 USA

1.866.755.5968 (Toll-free U.S. and Canada)
630.910.2800 (Outside U.S. and Canada)
Fax 630.910.2899