

- Class-leading weight savings
- Compliant with many bridge and weight laws
- Flexibility to haul across borders



Weight Savings and Exceptional Durability

VANTRAAX[®] tridem sliders incorporate the road-proven INTRAAX[®] integrated suspension system and patented K-2[®] slider box for exceptional durability with class-leading weight savings. The K-2 slider box design provides an outstanding strength to weight ratio allowing operators to load more cargo per haul. The patented "K" bracing reduces weight while increasing durability and its simple design opens interior spacing for easier plumbing and maintenance.

Hauling Flexibility Across Borders

Tridem sliders gives operators the flexibility to haul across international, provincial and state borders while remaining in compliance with a wide variety of bridge and weight laws and Canadian "infrastructure-friendly" regulations. With an overall system rating of 69,000 pounds, the tridem is available with a 23,000-pound standard duty suspension with a narrow pivot connection (HKANT 69K23) or a 25,000-pound heavy duty suspension (69K25).

To learn more about VANTRAAX
call 866.743.3247 or visit
www.hendrickson-intl.com

VANTRAAX® Features and Benefits

TRI-FUNCTIONAL® Bushing

- Controls vertical, horizontal and roll forces of trailer
- Optimizes ride softness, control and stability

Neutral-toe Axle

- Helps increase fuel economy and tire life
- Straight tracking

Patented Axle Wrap and Window Weld

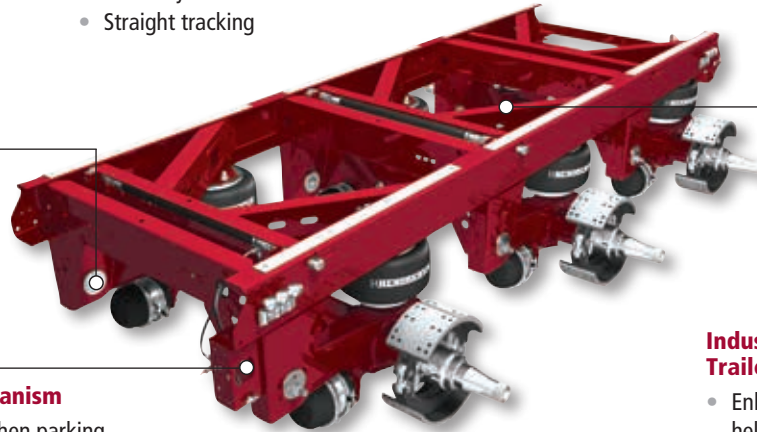
- Provides optimal structural integrity

QUIK-ALIGN® Pivot Connection

- Fast and easy axle alignment
- Requires no welding or special tools

QUIK-DRAW® fully pneumatic pin-pull mechanism

- Automatic reset engages pins when parking brake releases
- Driver Friendly – finger-tip operation
- Helps reduce driver strain, enhances productivity and can reduce workman's comp claims



Diagonal "K" Bracing

- K-brace prevents racking, increases strength and slider life

Industry's First Standard Trailer Cam Tube System™

- Enhances S-cam alignment and helps extend life of brake components
- Short 10-inch S-cam reduces windup and bushing wear for responsive, consistent stopping power

Value-Added Options

- RTR® READY-TO-ROLL® wheel-end options reduce weight, enhance durability and lower maintenance
 - **HXL3™ Hendrickson Extended-Life 3-year System™** features a three-year limited on-highway warranty*
 - **HXL5™ Hendrickson Extended-Life 5-year System™** features a five-year limited on-highway warranty*
 - **HXL7™ Hendrickson Extended-Life 7-year System™** features a seven-year limited on-highway warranty*
- TIREMAAX® tire inflation system helps maximize tire life and maintain peak fuel mileage
- HXS® Hendrickson Extended Service™ brakes extend intervals between brake service
- SURELOK® limits vertical and horizontal movement during loading and unloading

See *RTR READY-TO-ROLL Wheel-End flyer - L1200*

*Contact your local Hendrickson representative for complete warranty terms, conditions and limitations. Actual product performance may vary depending upon vehicle configuration, operation, service and other factors.

See *TIREMAAX PRO Brochure - L1199*

See *SURELOK Flyer - L622*

Specifications

MODEL	Axle Spacing (inches)	System Capacity (pounds)	Axle Rating (pounds)	Axle Diameter (Inches)	Box Width (Inches)	Ride Heights (Inches)	Base Model Weight (pounds)
HKANT 69K23	49, 60, 72	69,000	23,000	LDA™	48, 54	16, 16.5, 17, 18	2,236
HKAT 69K25	60, 72	69,000	25,000	LDA™	42, 48, 54	16, 17, 18	2,479

Call your trailer dealer or Hendrickson at **330.489.0045** or **866.RIDEAIR (743.3247)** for additional information.



www.hendrickson-intl.com

TRAILER COMMERCIAL VEHICLE SYSTEMS

2070 Industrial Place SE
Canton, OH 44707-2641 USA
866.RIDEAIR (743.3247)
330.489.0045 • Fax 800.696.4416

Hendrickson Canada

250 Chrysler Drive, Unit #3
Brampton, ON Canada L6S 6B6
800.668.5360
905.789.1030 • Fax 905.789.1033

Hendrickson Mexicana

Circuito El Marqués Sur #29
Parque Industrial El Marqués
Pob. El Colorado, Municipio El Marqués,
Querétaro, México C.P. 76246
+52 (442) 296.3600 • Fax +52 (442) 296.3601