

TECHNICAL BULLETIN

HAULMAAX® SERIES

SUBJECT: Mandatory Shock Applications

LIT NO: SEU-0217

DATE: November 2004 **REVISION:** A

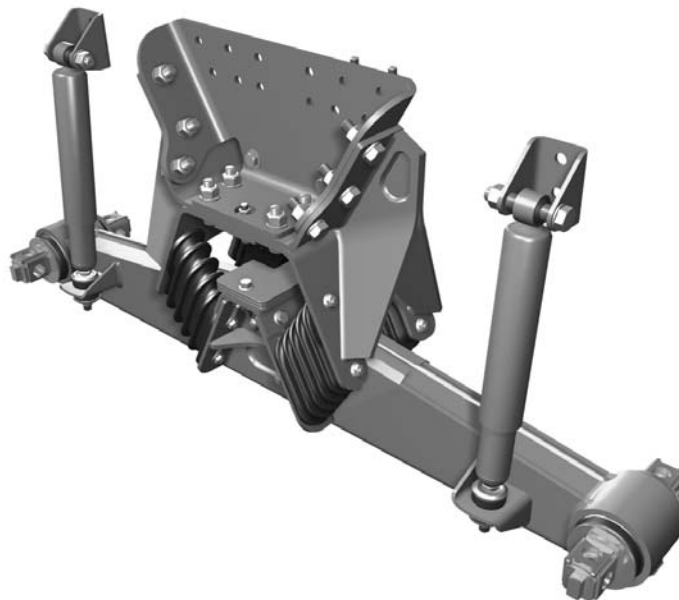
IMPORTANT NOTICE

HAULMAAX® SERIES MANDATORY SHOCK APPLICATIONS

The flexibility of the HAULMAAX® suspension allows customers to specify the suspension with or without shock absorbers. In many applications, the use of shock absorbers minimizes wheel hop and can improve ride and traction. Ride performance can be subjective and may be dependent on many factors beyond the suspension design, such as cab suspension, road conditions, body/auxiliary equipment, frame specifications, etc.

Based on testing and field experience, wheel hop conditions may exist in tractor and logging applications. Therefore, in order to help minimize wheel hop and improve ride performance, Hendrickson requires that HAULMAAX suspensions used in tractor and logging applications be ordered and operated with shock absorbers.

Contact Hendrickson or any authorized OEM dealer for additional details on shock requirements for the HAULMAAX suspension.



For The Road Ahead™

 **HENDRICKSON**



Information contained in this literature was accurate at the time of publication. Product changes may have been made after the copyright date that are not reflected.

www.hendrickson-intl.com