

H PARTS LIST

ULTIMAAX® Rear Suspension for Western Star Vehicles

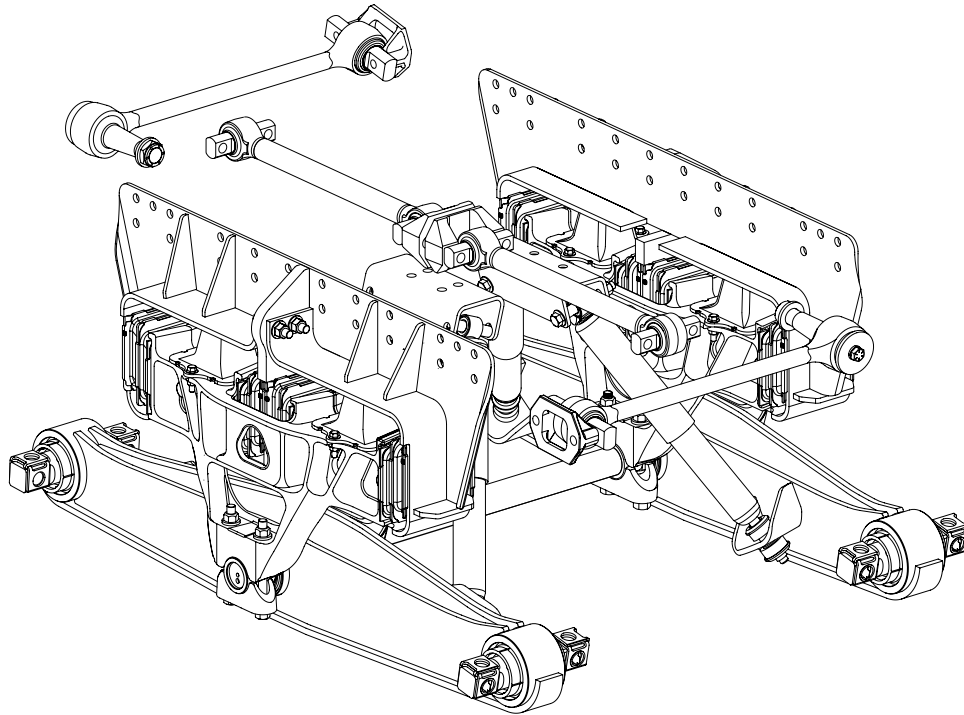
LIT NO: SP-298

DATE: December 2016

REVISION: A

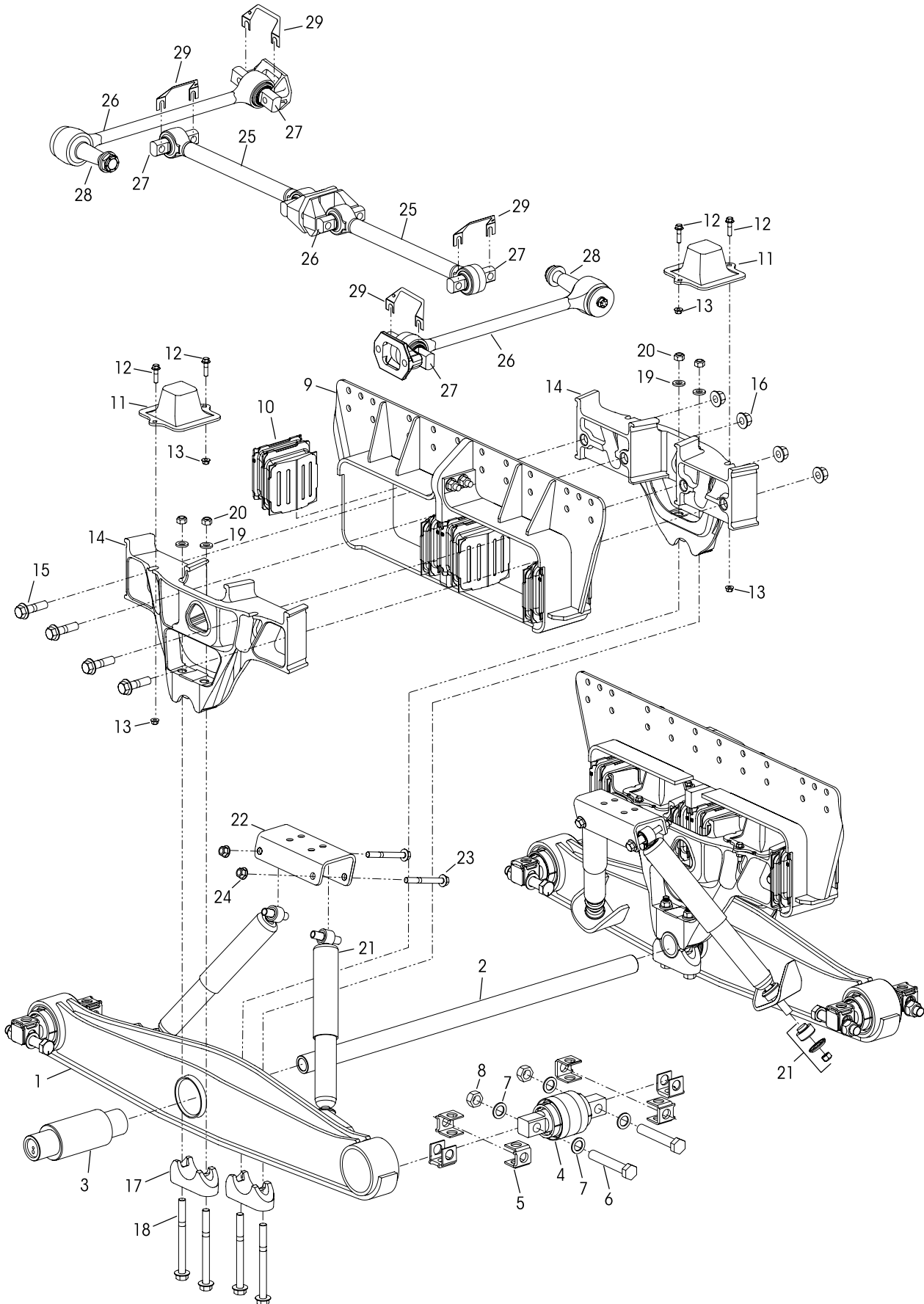
CONTENTS

DESCRIPTION	PAGE
Parts List	2
Special Tools	4





46K SD • 52K Capacity – 9½", 10½", 11½" Ride Height





KEY NO.	PART NO.	DESCRIPTION	VEHICLE QTY.	KEY NO.	PART NO.	DESCRIPTION	VEHICLE QTY.
1		Equalizing Beam Assembly w/Shock Bracket Includes Key Nos. 3-5a	2	10		*Shear Spring	8
	78489-520	52" Beam Length			60961-751	Progressive Load Spring Service Kit, One Side Includes Key Nos. 11-13	
	78489-560	56" Beam Length		11		*Progressive Load Spring	4
	60961-759	Cross Tube Service Kit , Includes Key No. 2 and Weldable Loose Plug			34013-196	Progressive Load Spring Fasteners Service Kit, One Side , Includes Key Nos. 12-13	
2	44642-008	Cross Tube - 1140 mm	1	12		*M10 x 1.5 x 40 mm 6G Flange Bolt	8
	60961-755	Equalizing Beam Bushing Service Kit, One Beam , Includes Key No. 3-4, 6-8, 18-20		13		*M10 x 1.5 Flange Lock Nut	8
3		Center Bushing	2	14	70886-000	Saddle Assembly	4
	60961-752	End Bushing Service Kit, One Wheel End , Includes Key Nos. 4-8			34013-197	Saddle Only Fastener Kit, One Side , Includes Key Nos. 15-16	
4		*Bar Pin End Bushing Assembly, Includes Key No. 5a		15		*M20 x 1.5 x 75 mm Flange Bolt	8
5		Bar Pin Shim	8	16		*M20 x 1.5 Flange Nut	8
	a	50130-000 0.19" / 0.19" Standard		17	77205-001	Saddle Cap, <i>Replaces 77374-001</i>	4
	b	50131-000 0.25" / 0.12" Optional			60961-768	Saddle Cap Fastener Service Kit, One Side , Includes Key Nos. 18-20	
	c	57026-000 0.375" Optional flat shim		18		*M16 x 2 x 6G x 180 mm Flange Bolt	8
		End Bushing Fasteners Kit, One Beam , Includes Key Nos. 6-8		19		*M16 Flat Washer	8
		56659-001 Axle Set		20		*M16 x 2 x 6H Nut	8
		56659-005 One Beam		21		Shock Absorber	4
		34013-104 One Wheel End			60680-015L	9½", 10½" Ride Height	
6		*1"-8 UNC x 6" Bolt	8		60680-016L	10½", 11½" Ride Height	
7		*1" Hardened Washer	16	22	77591-002	Upper Shock Bracket	2
8		*1"-8 UNC Locknut	8		60961-818	Upper Shock Fasteners Service Kit, One Beam , Includes Key Nos. 23-24	
9		Frame Hanger, 34" Width	2	23		*M16 x 2 x 90 mm Flange Bolt	4
		• 7" Axle Drop		24		*M16 x 2 Flange Nut	4
		78592-001 9½" Ride Height		25	92000-XXS	ULTRA ROD® PLUS™ Longitudinal Torque Rod, Straddle/Straddle, Specify Length in mm Includes Key No. 27	2
		78592-002 10½" Ride Height		26	92350-625S	**ULTRA ROD PLUS Torque Rod Transverse Assembly 625 mm, Straddle/Taper, Includes Key Nos. 27-28	2
		78592-004 11½" Ride Height		27	66649-002L	XTRB Straddle Bushing	6
		• 7¾" Axle Drop		28	66649-004L	XTRB Taper Bushing	2
		78592-003 10½" Ride Height		29	49689-000L	Torque Rod Shim	As Req.
		78592-005 11½" Ride Height		30	70867-001	P-80 Lubricant - 10 ml (Not Shown)	As Req.
	60961-749	Shear and Progressive Load Spring Service Kit, One Side , Includes Key Nos. 10-13, 15-16, 18-20, 30					
	60961-750	Shear Spring Service Kit, One Side Includes Key Nos. 10, 15-16, 18-20, 30					

NOTES: * Item included in kit/assembly only, part not sold separately.

** Transverse rods are mandatory for the ULTIMAAX rear suspension regardless of axle spacing.

Hendrickson Lit. No. 48422-592 – ULTIMAAX Gauge Card can be used to measure in the unloaded condition the progressive load spring (PLS) height and the length of cut / split and depth of separation of the shear spring and PLS.

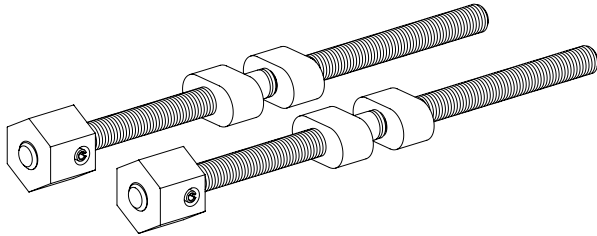


■ Special Tools

SADDLE ASSEMBLY TOOLS

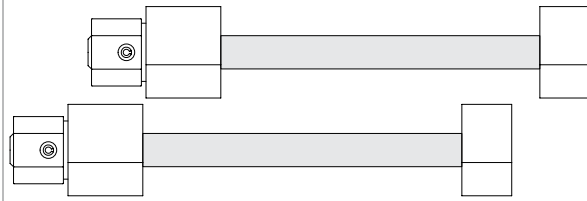
DISASSEMBLY TOOL

Hendrickson Part No. 66086-113L



ASSEMBLY TOOL

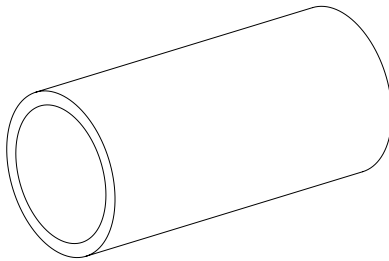
Hendrickson Part No. 66086-108L



CENTER BUSHING TOOLS

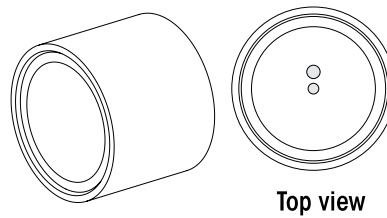
RECEIVING TOOL

Hendrickson Part No. 66086-112



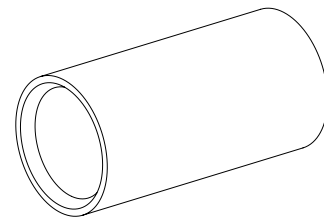
INSTALLATION TOOL

Hendrickson Part No. 66086-107



REMOVAL TOOL

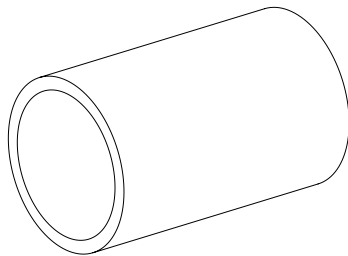
Hendrickson Part No. 66086-110



END BUSHING TOOLS

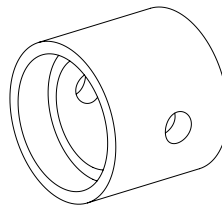
RECEIVING TOOL

Hendrickson Part No. 66086-111



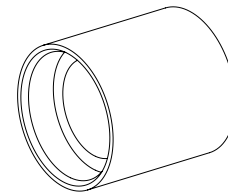
INSTALLATION TOOL

Hendrickson Part No. 66086-106



REMOVAL TOOL

Hendrickson Part No. 66086-109



This is a general parts list to provide directional information. Components may vary by model. Questions in regards to parts, contact Hendrickson Truck Parts at 1.866.755.5968 (Toll-free U.S. and Canada), 630.910.2800 (Outside U.S. and Canada) or e-mail: truckparts@hendrickson-intl.com.

www.hendrickson-intl.com



Truck Commercial Vehicle Systems
800 South Frontage Road
Woodridge, IL 60517-4904 USA

1.866.755.5968 (Toll-free U.S. and Canada)
1.630.910.2800 (Outside U.S. and Canada)
Fax 1.630.910.2899