

# **H** LOOSE AXLES

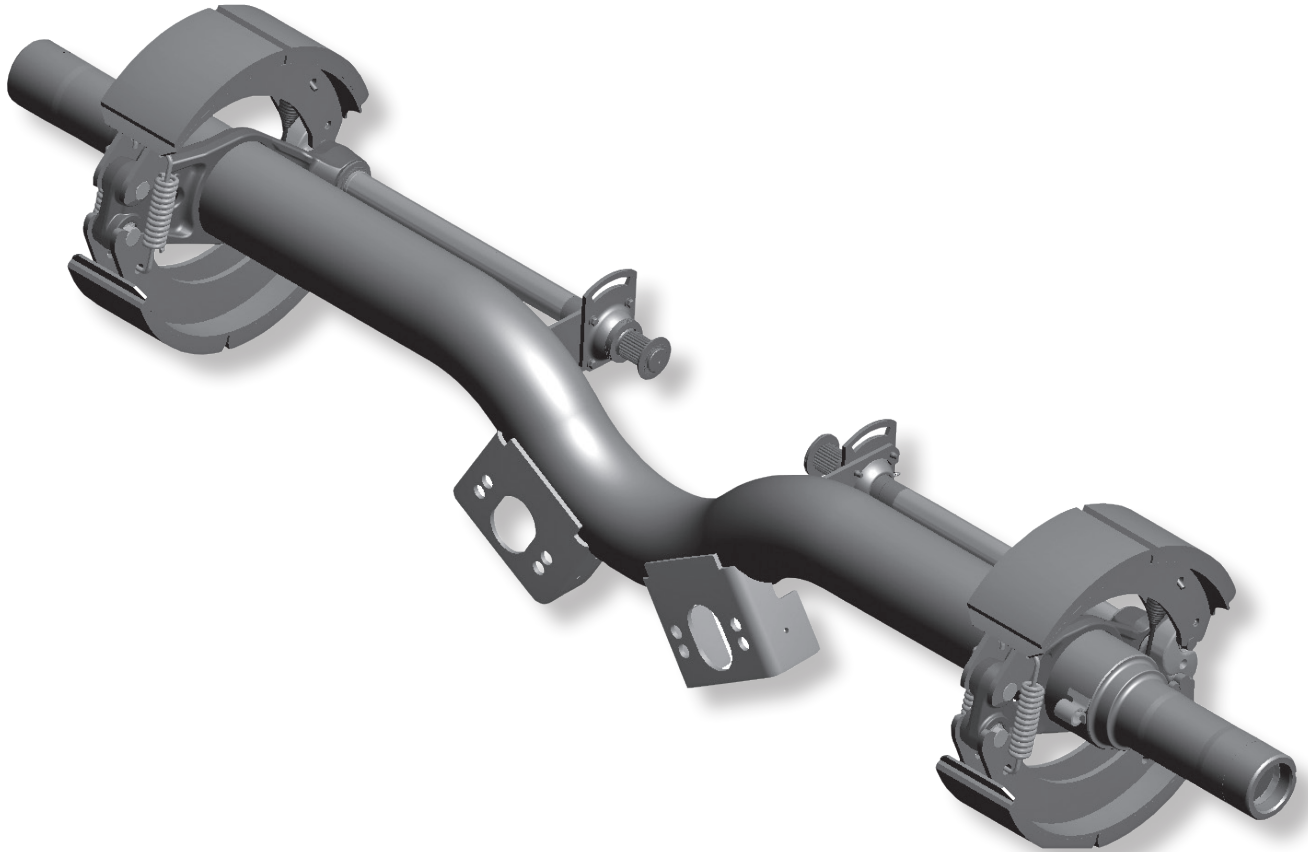
## SPECIFICATION GUIDE

LIT NO: H722

DATE: September 2016

REVISION: G

---



## LOOSE AXLES SPECIFICATION GUIDE

Call Hendrickson at:  
1.800.660.2829 or 1.800.668.5360 in Canada  
for additional information and application specifications.

e-mail [LiftAxleTech@hendrickson-intl.com](mailto:LiftAxleTech@hendrickson-intl.com)  
fax **1.740.929.5601**

### SPECIFICATION REQUESTER – REQUIRED INFORMATION

<b>Company Name:</b>	<b>Request Date:</b>
<b>Contact Person:</b>	<b>City, State, Zip:</b>
<b>Telephone:</b>	<b>E-mail Address:</b>

**Is this to purchase same as or replace a previous model:**  
 Yes → Enter model number and proceed to application below: \_\_\_\_\_

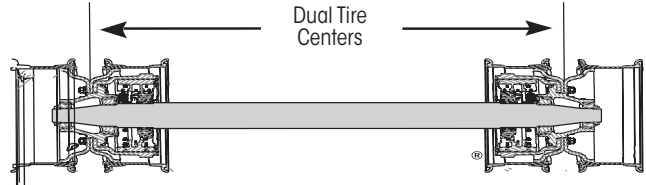
### 1 LOOSE AXLE APPLICATION & CAPACITY SELECTION

<b>SPINDLE TYPE:</b>	<input type="checkbox"/> D22-HN <input type="checkbox"/> P22-HP <input type="checkbox"/> K22 <input type="checkbox"/> K30 <input type="checkbox"/> S22 <input type="checkbox"/> S30 <input type="checkbox"/> A45 <input type="checkbox"/> A65 <input type="checkbox"/> HAUX picks best
<b>AXLE STYLE:</b>	<input type="checkbox"/> Straight <input type="checkbox"/> Bent (See page 3 for drawing)
<b>AXLE DIAMETER:</b>	<input type="checkbox"/> 5" OD <input type="checkbox"/> 5.75" OD <input type="checkbox"/> 6" OD
<b>AXLE WALL:</b>	<input type="checkbox"/> 1/2" (Mechanical Springs Only) <input type="checkbox"/> 5/8" <input type="checkbox"/> 3/4"
<b>MAXIMUM LOAD CAPACITY<sup>1</sup>:</b>	<input type="checkbox"/> 16K <input type="checkbox"/> 20K <input type="checkbox"/> 23K <input type="checkbox"/> 25K <input type="checkbox"/> 30K <input type="checkbox"/> 45K <input type="checkbox"/> 65K
<b>TRACK LENGTH<sup>2</sup>:</b>	<input type="checkbox"/> 71.5" <input type="checkbox"/> 77.5" <input type="checkbox"/> Other _____ (See image at bottom of this page)

### 2 LOOSE AXLE OPTIONS

<b>BRAKE CHAMBER<sup>3</sup>:</b>	<input type="checkbox"/> No (Size: _____) <input type="checkbox"/> Yes → <input type="checkbox"/> Port towards axle (Standard) <input type="checkbox"/> Port away from axle
<b>BRAKE CHAMBER SIZE:</b>	<input type="checkbox"/> Type 24 <input type="checkbox"/> Type 30 <input type="checkbox"/> Type 30/30 <input type="checkbox"/> Other: _____
<b>BRAKE SLACK ADJUSTER<sup>3</sup>:</b>	<input type="checkbox"/> No (Size: _____) <input type="checkbox"/> Yes → <input type="checkbox"/> 5.5" <input type="checkbox"/> 6.0" <input type="checkbox"/> Manual
<b>ABS SENSOR:</b>	<input type="checkbox"/> No <input type="checkbox"/> Yes (ABS Sensor Bracket will be included regardless of selection)
<b>CAM COVER:</b>	<input type="checkbox"/> No <input type="checkbox"/> Yes
<b>BRAKES:</b>	<input type="checkbox"/> No (Size: _____) <input type="checkbox"/> Yes → <input type="checkbox"/> 16.5 x 7 (Standard) <input type="checkbox"/> Other _____
<b>S-CAM:</b>	<input type="checkbox"/> No <input type="checkbox"/> Yes, <b><i>If yes:</i></b> <input type="checkbox"/> 28-spline (Standard) <input type="checkbox"/> 10-spline; Length _____ <b>OR</b> Air Chamber Centers (ACC) _____
<b>PAINT:</b>	<input type="checkbox"/> No <input type="checkbox"/> Yes
<b>HUB / DRUMS<sup>4</sup>:</b>	<input type="checkbox"/> No (provide vendor part #) _____ <input type="checkbox"/> Yes (Hub pilot and long studs, standard) <sup>5</sup>
<b>WHEEL MATERIAL</b>	<input type="checkbox"/> Steel <input type="checkbox"/> Aluminum
<b>LUBRICATION<sup>6</sup>:</b>	<input type="checkbox"/> No <input type="checkbox"/> 80/90 Oil (Standard) <input type="checkbox"/> L2 Grease
<b>DUST SHIELD:</b>	<input type="checkbox"/> No <input type="checkbox"/> Yes (Available only for 16.5" brake size)
<b>4-PIECE SPINDLE NUT KIT:</b>	<input type="checkbox"/> No <input type="checkbox"/> Yes (Automatically included only if Hub / Drums are selected)

1. Follows standard axle, spindle, and brake offerings.  
 2. Track lengths are centers of dual steel wheel tires available in 1/2" increments. For aluminum wheels subtract 1" from track length.  
 3. Size is set by standard (see footnote 1). Brake chambers must be accompanied by slacks.  
 4. Knowing the hub and drum for the axles helps Hendrickson locate the brakes on the axle. This information is required.  
 5. Typical stud bolt circle: D22 and P22 = 11-1/4"; A45 and A65 = 13-3/16". Please inquire on other pilot, stud length and bolt circle choices. Standard is outboard, cast drum.  
 6. All hub lubrication unless otherwise specified will be 80/90W oil, except for A65; A65 will have L2 grease.



Track Length Definition Diagram-Dual Tire Centers

## 3 BENT TUBE AXLE SPACING AND ORIENTATION

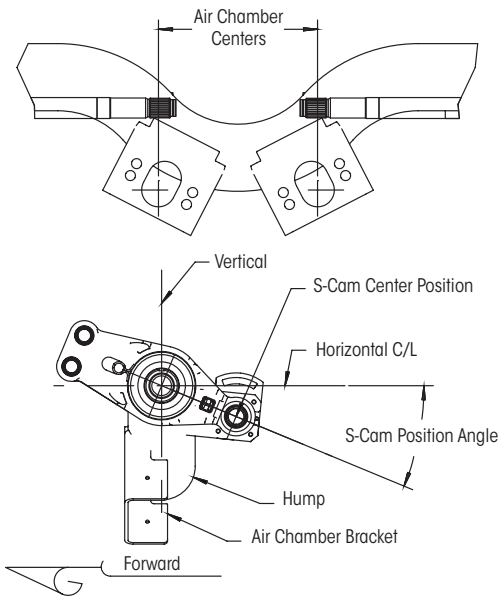
### HUMP INSTALLATION ORIENTATION:

Rear down (Standard) S-Cam Angle:  0°  10°  15°  22.5°  25°  
9.5" ACC or greater is required. Must receive Hendrickson approval for anything less.

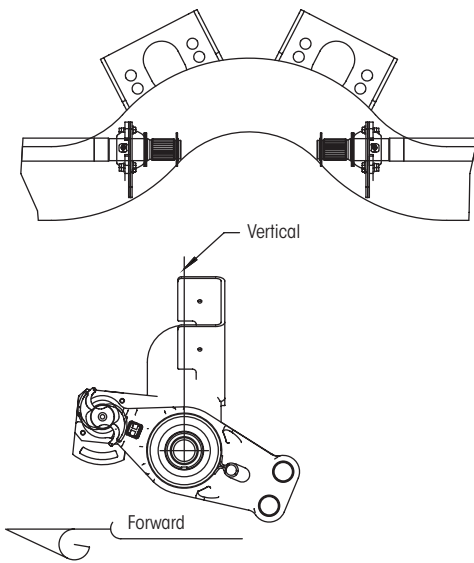
Front up  
16.0" ACC or greater is required. Must receive Hendrickson approval for anything less.

### HUMP DOWN REAR DOWN

#### HAUX's Axle Orientation Convention for Rear Down Part Number Configuration

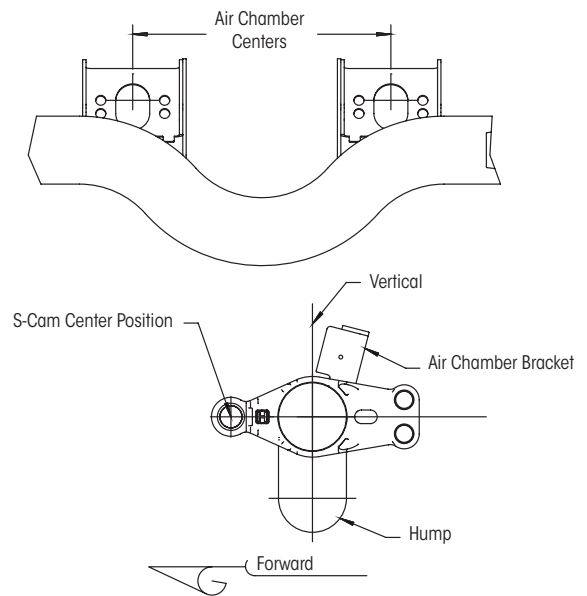


#### Alternative axle orientation by customer with the same Rear Down Part Number Configuration

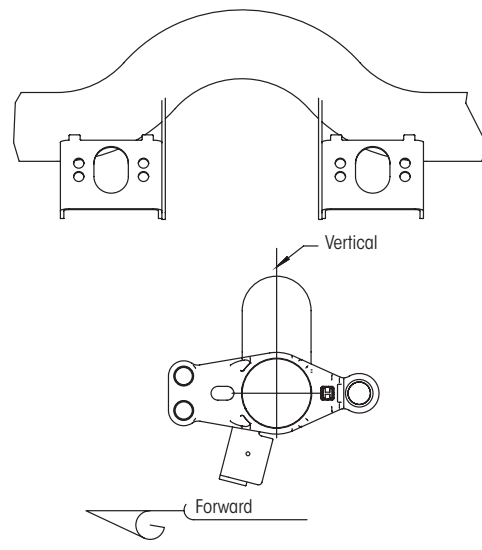


### HUMP DOWN FRONT UP

#### HAUX's Axle Orientation Convention for Front Up Part Number Configuration



#### Alternative axle orientation by customer with the same Front Up Part Number Configuration



**IMPORTANT! ALL ENGAGING CAMS MUST ROTATE THE SAME AS THE WHEELS IN FORWARD MOTION; OPPOSITE CAM ROTATION CAUSES COMPONENT FAILURE. HUMPS MUST BE WITHIN 5 DEGREES OF VERTICAL AS SHOWN ABOVE, AND OPERATED AT THE SPECIFIED RIDE HEIGHT. ANY APPLICATION OTHER THAN STATED ABOVE WILL VOID THE WARRANTY.**

Call Hendrickson at **800.660.2829** or **800.668.5360** in Canada for additional information.



[www.hendrickson-intl.com](http://www.hendrickson-intl.com)

**SPECIALTY PRODUCTS -  
AUXILIARY AXLE SYSTEMS**  
277 North High Street  
Hebron, OH 43025 USA  
800.660.2829  
740.929.5600 • Fax 740.929.5601

**Hendrickson Canada**  
250 Chrysler Drive, Unit #3  
Brampton, ON Canada L6S 6B6  
800.668.5360  
905.789.1030 • Fax 905.789.1033