

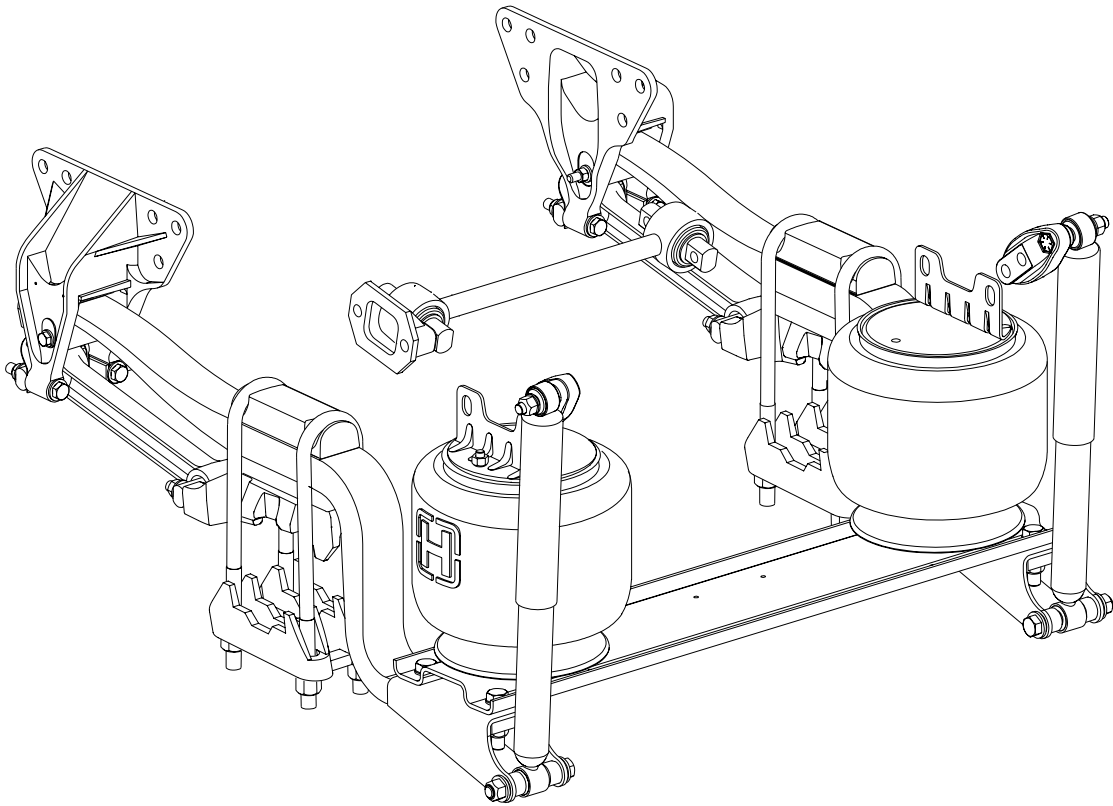
H PARTS LIST

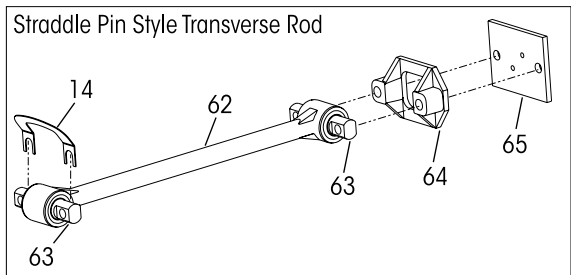
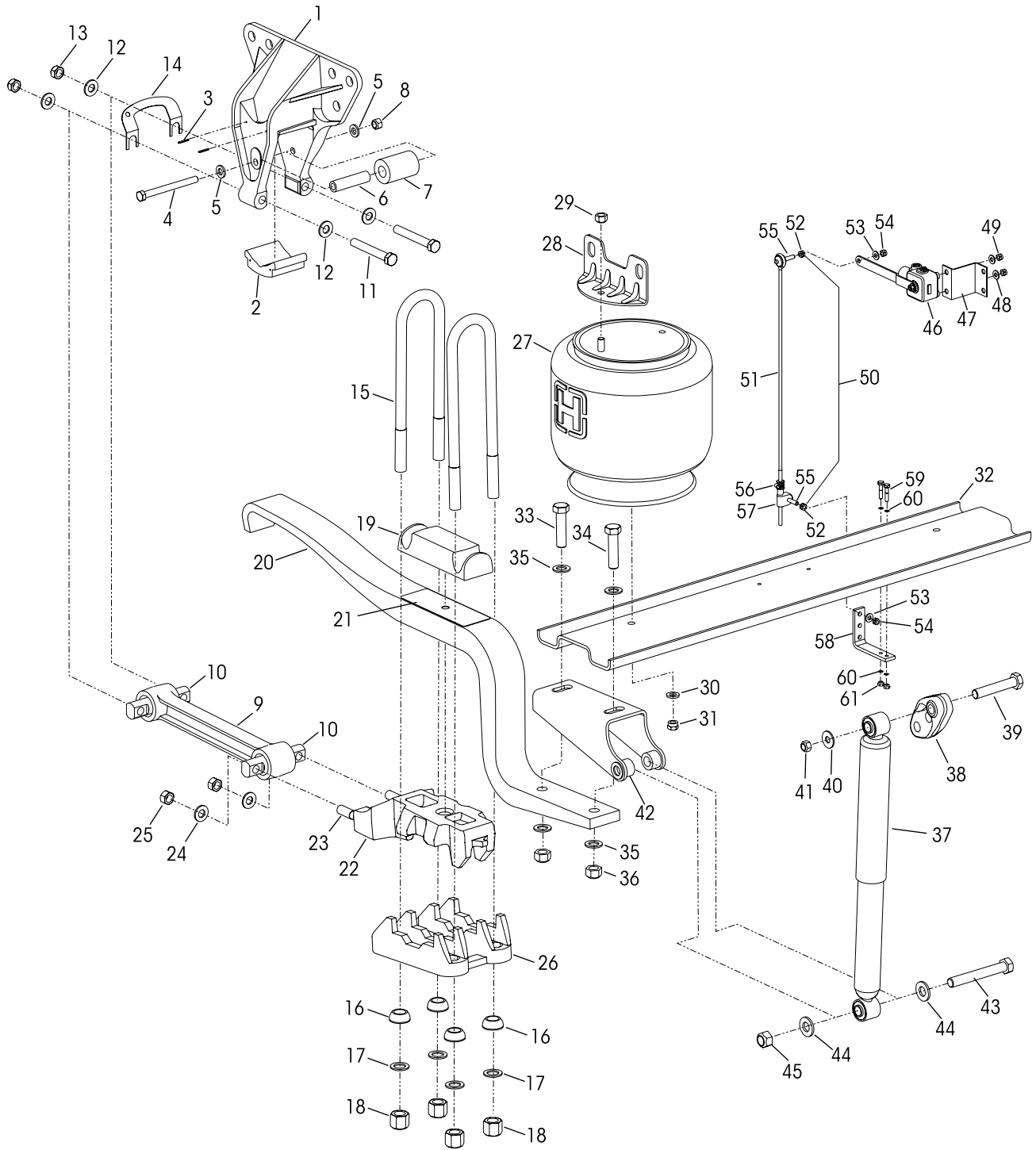
HAS™ 21K Single Air Suspension for Spartan Rear Engine Motorhome Chassis

LIT NO: SP-187

DATE: August 2016

REVISION: B







HAS™ 21K for Spartan Rear Engine Motorhome Chassis

				VEHICLE					VEHICLE
KEY NO.	PART NO.	DESCRIPTION		QTY.	KEY NO.	PART NO.	DESCRIPTION		QTY.
1	58688-001	Frame Hanger Assembly, Includes Key Nos. 2-3		2	32	57317-001	Cross Channel - 40"		1
	56557-005	Slipper Pad Service Kit, One Side, Includes Key Nos. 2-3			33	50764-005	¾"-10 UNC x 3" Bolt		2
2	56929-000	Slipper Pad		2	34	50764-007	¾"-10 UNC x 2½" Bolt		2
3	58287-001	Slipper Pad Lock Pin - 1"		4	35	22962-001	¾" Hardened Washer		8
	49175-014	Rebound Roller Service Kit, Axle Set, Includes Key Nos. 4-8			36	49842-000	¾"-10 UNC Locknut		4
4	24531-015	½"-13 UNC x 5½" Bolt		2	37	66153-004L	Shock Absorber		2
5	22962-014	½" Hardened Washer		4		50754-013	Upper Shock Fastener Service Kit, One Side, Includes Key Nos. 38-41		
6	57988-000	Rebound Spacer		2	38	67463-001	Upper Shock Bracket <i>Replaces 65000-001</i>		2
7	57989-000	Rebound Roller		2	39	50764-010	¾"-10 UNC x 4¼" Bolt		2
8	49846-000	½"-13 UNC Locknut		2	40	22962-001	¾" Hardened Washer		2
9	48411-016	Longitudinal Torque Rod Assembly - 14.41", Includes Key No. 10		2	41	49842-000	¾"-10 UNC Locknut		2
10	47691-000L	Torque Rod Bushing		4		57356-000	Lower Shock Bracket Assembly, Includes Key Nos. 42-45		2
11	32043-005	⅝"-11 UNC x 4½" Hex Bolt		4	42	57355-000	Lower Shock Bracket		2
12	22962-004	⅝" Hardened Washer		8	43	50764-002	¾"-10 UNC x 5½" Bolt		2
13	47764-000	⅝"-11 UNC Locknut		4	44	22962-001	¾" Hardened Washer		4
14	49689-000L	Torque Rod Shim (as needed)		8	45	49842-000	¾"-10 UNC Locknut		2
	48718-023	U-bolt Fastener Service Kit, Axle Set, Includes Key Nos. 15-18			46	57977-000	Height Control Valve Assembly, Includes Key Nos. 47-49		1
15	47417-007	⅞"-14 UNF x 15" U-bolt		4	47		*HCV Mounting Bracket		1
16	48574-000	⅞" Spherical Washer		8	48		*¼" Flat Washer		2
17	22962-002	⅞" Hardened Washer		8	49		*¼"-20 UNC Locknut		2
18	50765-000	⅞"-14 UNF U-bolt Locknut		8	50	58994-002L	HCV Linkage Assembly - 17.04", Includes Key Nos. 51-57		1
19	56805-000	Top Pad		2	51		*Linkage Rod		1
20	56943-000	Main Support Member Assembly - 1.88" Includes Key No. 21		2	52		*⅝"-18 UNC Jam Nut		2
21	47905-000	Delrin Liner		2	53		*⅝" Hardened Washer		2
22		Spring Seat Assembly, Includes Spring Seat and Key Nos. 23-25		2	54		*⅝"-18 UNC Locknut		2
	66622-000	4.5°			55		*⅝"-18 UNC Stud		2
	66622-002	5.5°			56		*Valve Arm Clamp		1
23	50918-000	⅝"-11 UNC-2A Stud		4	57		*Adjustable Valve Arm Joint		1
24	22962-004	⅝" Hardened Washer		4		57430-000	Height Control Valve Linkage Bracket Service Kit, Includes Key Nos. 58-61		
25	47764-000	⅝"-11 UNC Locknut		4	58	56789-000	Height Control Valve Linkage Bracket		1
26	50216-000	Axle Bottom Cap		2	59	56935-001	¼"-20 UNC x 1¼" Bolt		2
27	66178-002L	Air Spring Assembly, Includes Key Nos. 28-29		2	60	22962-028	¼" Hardened Washer		4
28	50804-002	Air Spring Bracket		2	61	49983-000	¼"-20 UNC Locknut		2
29	17700-010	½"-13 UNC Air Spring Locknut		2	62	62000-565	**Transverse Rod Assembly, Includes Key No. 63		1
30	22962-014	½" Hardened Washer		2	63	47691-000L	Transverse Torque Rod Bushing		2
31	17700-010	½"-13 UNC Nylocknut		2	64	22186-000	Transverse Torque Rod Frame Bracket		1
					65	45045-003	Back Up Plate		1

NOTE:

* Item included in kit/assembly only, part not sold separately.

** Transverse Rods are mandatory with the HAS Series Suspension regardless of axle spacing.

Hendrickson's part number is stamped on the transverse rod for identification. Be sure and include the suffix number when ordering (this number indicates rod length). Hendrickson 2-Piece ULTRA RODS can be used to create desired length. See Torque Rod Selection Guide Lit. No. 45745-148 for more information.

Hendrickson HAS Ride Height Gauge for loaded vehicles:

Lit. No. 45745-050 can be obtained by calling Hendrickson fulfillment at 800.973.0360 or order online: www.hendrickson-intl.com/Litform



■ Special Tool

TORQUE ROD BUSHING FUNNEL TOOL



Hendrickson Part No. 66086-001L

For ULTRA ROD Bushing 47691-000

This is a general parts list to provide directional information. Components may vary by model. Questions in regards to parts, contact Hendrickson Truck Parts at 1.866.755.5968 (Toll-free U.S. and Canada), 630.910.2800 (Outside U.S. and Canada) or e-mail: truckparts@hendrickson-intl.com.

www.hendrickson-intl.com



Truck Commercial Vehicle Systems
800 South Frontage Road
Woodridge, IL 60517-4904 USA

1.866.755.5968 (Toll-free U.S. and Canada)
630.910.2800 (Outside U.S. and Canada)
Fax 630.910.2899