

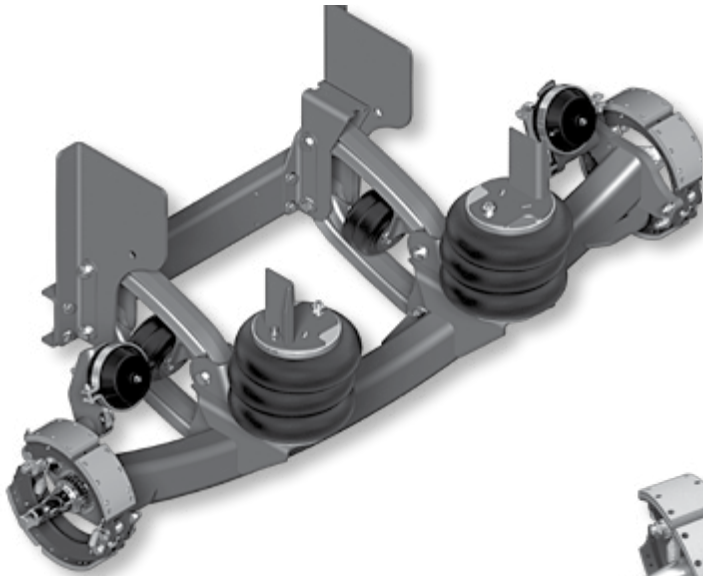
TRUCK LIFT AXLE

Specification Guide

LIT NO: H750

DATE: April 2017

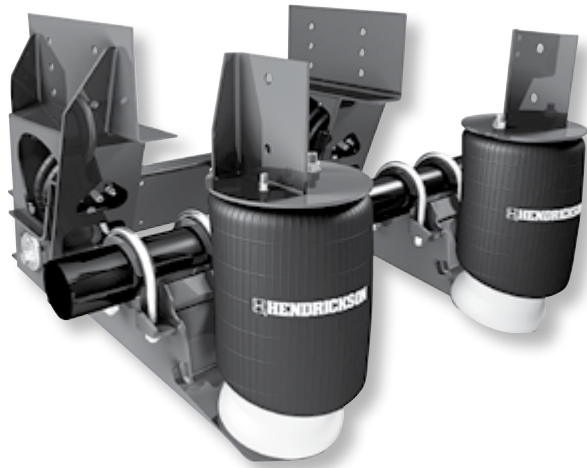
REVISION: F



COMPOSITITE®




TOUGHLIFT®



TRUCK LIFT AXLE SPECIFICATION GUIDE

Call Hendrickson at:
1.800.660.2829 or 1.800.668.5360 in Canada
for additional information and application specifications.

 LiftAxleTech@hendrickson-intl.com

 1.740.929.5601

SPECIFICATION REQUESTER – REQUIRED INFORMATION

| | |
|-----------------|-------------------|
| Company Name: | Request Date: |
| Contact Person: | City, State, Zip: |
| Telephone: | E-mail Address: |

Please complete the sections below in numerical order:

1 APPLICATION & CAPACITY SELECTION

| COMPOSILITE® Family <i>Lighter Duty Applications – Use fabricated axles</i> | | TOUGHLIFT® Family <i>Heavy Duty Applications – Use trailer style, round tube axles</i> | |
|--|--|---|--|
| Steerable / Single Tire Capacities | | Steerable / Dual Tire Capacities | |
| 8K | | 25K | |
| 10K | | Non-Steerable / Single Tire Capacities | |
| 13K† | | 13K | |
| 20K† | | 20K† | |
| Non-Steerable / Single Tire Capacities | | 22K* | |
| 8K | | 25K | |
| 10K | | Non-Steerable / Dual Tire Capacities | |
| 13K† | | 20K† | |
| † Roll-Off Application Compatible | | 22K* | |
| * Tag application (straight axle) only | | 25K | |

2 VEHICLE APPLICATION VERIFICATION

On-Frame Mounting Location:
 Pusher (Ahead of Drives / Tandem)
 Tag (Behind Drives / Tandem)

Roll-off Application?† Yes No
If Yes: Where do the hydraulic cylinders attach to the frame?
 Near Cab Near Drives / Tandem

Vehicle's Primary Suspension Type:
 Air Ride Chalmers Rubber Block Mechanical Spring

Bottom of Frame Rail to ground Dimension (at axle mounting location): Unloaded _____ Loaded _____

Bottom of Frame Rail to Bottom of Driveshaft Dimension (at axle mounting location): _____

Truck Frame Width (outside to outside): _____

Frame Rail Height: _____

Preferred Tire Size to be Mounted on Lift Axle: _____

Rim Size: Diameter _____ Width _____

3 WHEEL END EQUIPMENT OPTIONS (Select All That Apply)

NOTE: Not all options available on all models; all units come standard filled with 80W/90 oil, unless Grease-filled selected.

Hub Piloted Grease-filled Hub Caps (10K required)
 Dust Shields Disc Brakes (13K -20K Applications Only)
 ABS Ready No Wheel Ends (Brakes Only)

4 ADDITIONAL SUSPENSION OPTIONS

NOTE: Not all options available on all models.

Heavy Duty CTR Lock Straight (Steer only)
 V-Rod System Pre-Plumbed (Air control kit sold separately)

5 AIR CONTROL KIT SPECIFICATIONS

NOTE: Control Kits sold separately; all units equipped for steerable use have standard lift in reverse included.

Select Control Mounting Style (choose one):
 Inside Cab Outside on Frame Maryland Spec
 No Control Requested

If Outside on Frame (choose one): Steel Box Composite Box

If Lock Straight Option Selected (choose one):
 Lift and Lock Straight in Reverse Down and Lock in Reverse

Call Hendrickson at 800.660.2829 or 800.668.5360 in Canada for additional information.