

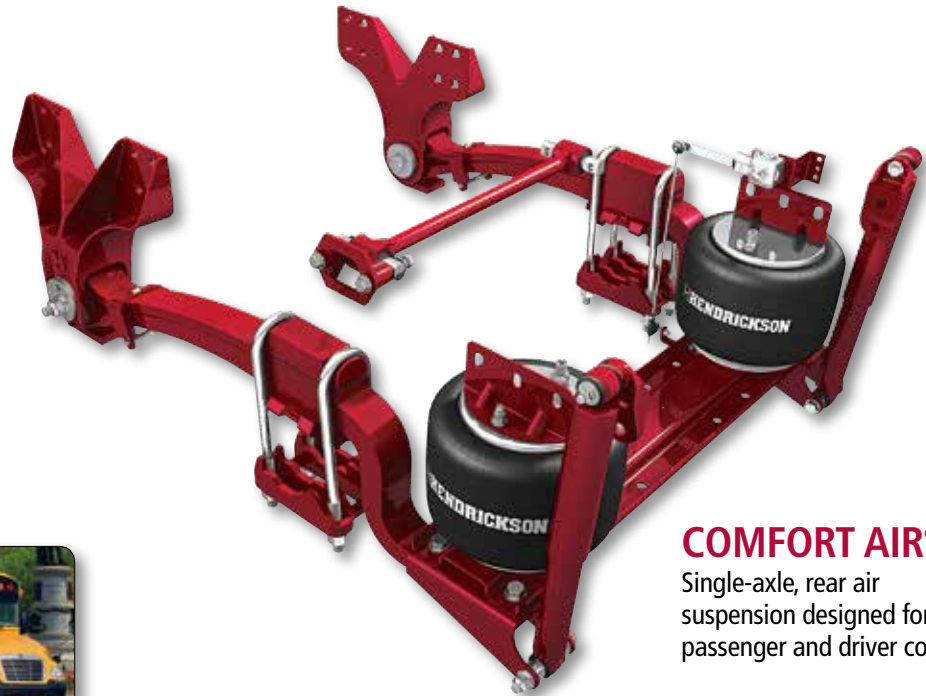
Bus Ride Solutions

Hendrickson and Blue Bird partner to deliver the industry's first full air platform for a conventional chassis



AIRTEK®

Integrated front air suspension and steer axle system designed for comfort and improved performance



COMFORT AIR®

Single-axle, rear air suspension designed for passenger and driver comfort



To learn more about AIRTEK/ COMFORT AIR,
call 855.743.3733 or visit
www.hendrickson-intl.com

AIRTEK® for Blue Bird

Capacities of 10,000 lbs. (Blue Bird Vision) and 14,600 lbs. (Blue Bird All American)

Outstanding Stability

- Box-shaped cross-section is more rigid than traditional I-beam axles

Weight Savings

- The unique design of the STEERTEK axle contributes to a lightweight design

Superb Ride

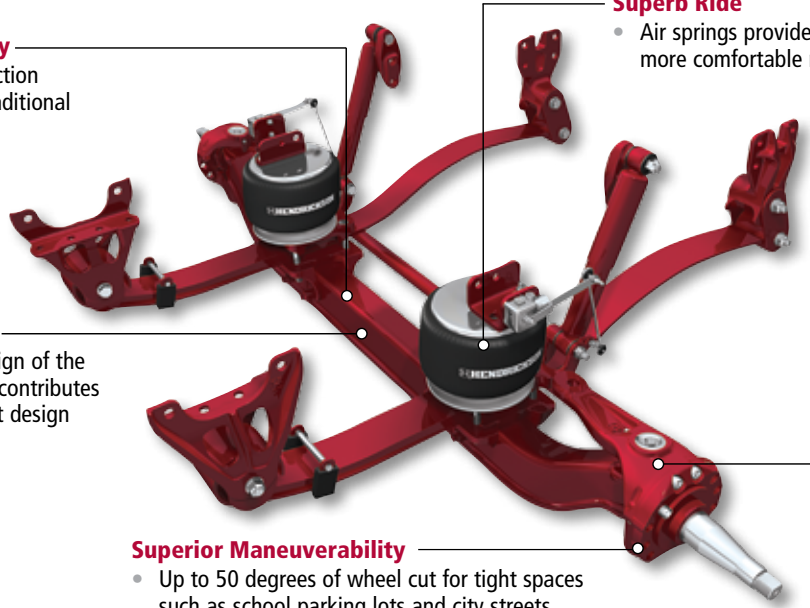
- Air springs provide a softer, more comfortable ride

Reduced Maintenance

- Unique two-piece knuckle design eliminates the need to remove the kingpin to service the knuckle

Superior Maneuverability

- Up to 50 degrees of wheel cut for tight spaces such as school parking lots and city streets



COMFORT AIR® for Blue Bird

Capacities of 21,000 and 23,000 lbs. (Blue Bird Vision and All American)

Export only capacity 26,000 lbs.

Exceptional Stability and Handling

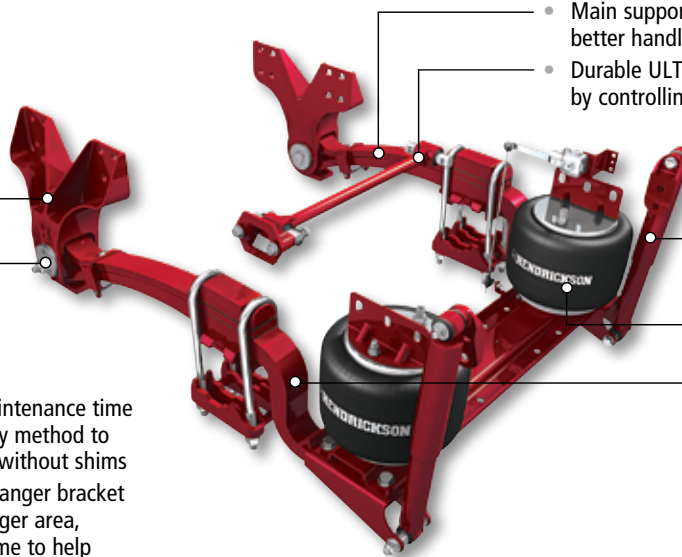
- Main support member provides neutral roll steer for better handling
- Durable ULTRA ROD® enhances handling during cornering by controlling lateral forces to maintain axle position

Superb Ride

- Shock absorbers are tuned for optimum damping characteristics to provide exceptional driving comfort
- Air springs adjust to changing load conditions to deliver superb ride quality
- Extended-length main support member generates lower spring rate for optimized roll stiffness, providing a more comfortable and compliant ride

Reduced Maintenance

- QUIK-ALIGN® reduces maintenance time by offering a fast and easy method to adjust and set alignment without shims
- Wide footprint of frame hanger bracket distributes load over a larger area, reducing stress to the frame to help increase the life of the vehicle



Call your local dealer or Hendrickson at **630.910.2800** or **855.RIDERED (743.3733)** for additional information.



www.hendrickson-intl.com

TRUCK COMMERCIAL VEHICLE SYSTEMS
800 South Frontage Road
Woodridge, IL 60517-4904 USA
855.RIDERED (743.3733)
630.910.2800 • Fax 630.910.2899



www.blue-bird.com