

# **H** PARTS LIST

## HAULMAAX® 40K • 46K Rear Suspension

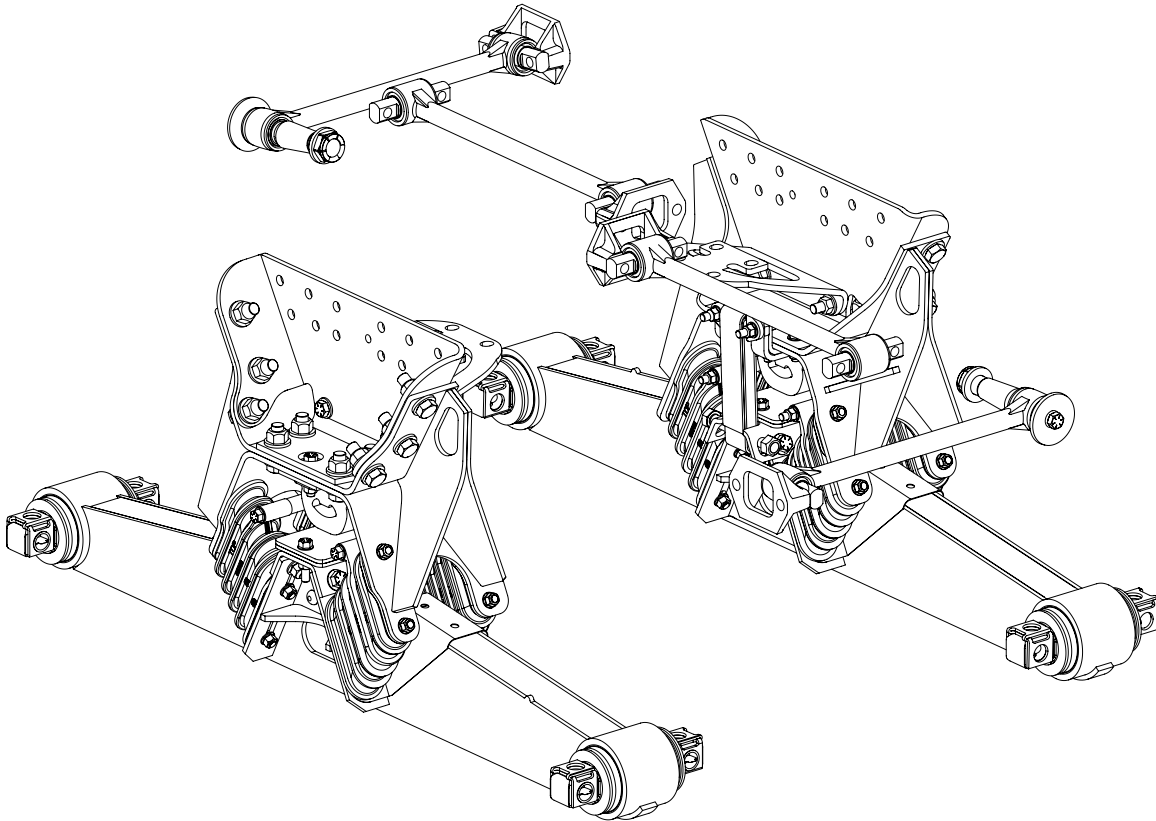
LIT NO: SP-171

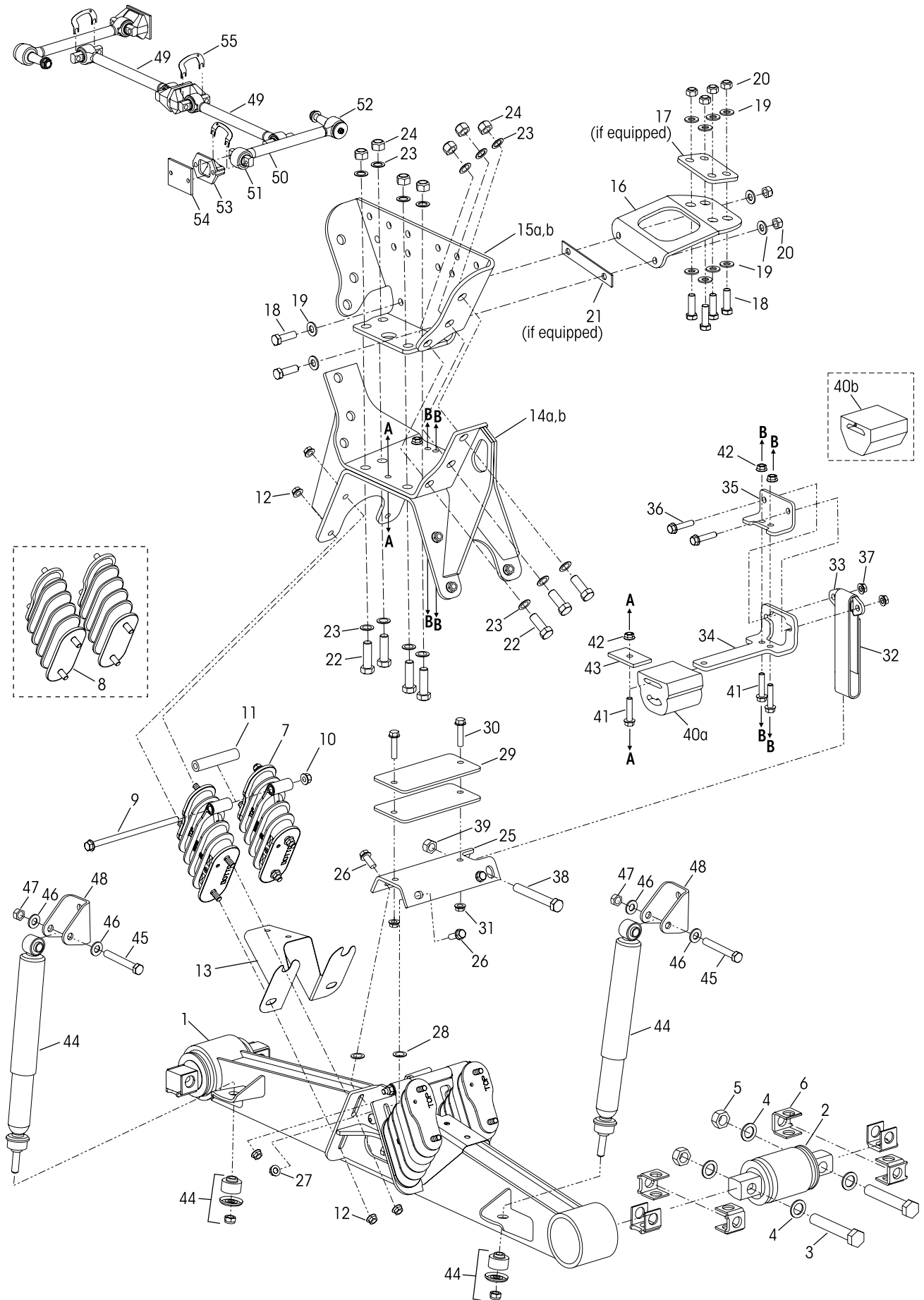
DATE: February 2017

REVISION: K

### CONTENTS

DESCRIPTION	PAGE	DESCRIPTION	PAGE
Parts List – HAULMAAX 40K • 46K . . . . .	2	Aftermarket Service Kits . . . . .	6
Selection Guide		Special Tools	
■ Outboard Frame Bracket . . . . .	5	■ Equalizing Beam End Bushing . . . . .	7
■ Inboard Frame Bracket . . . . .	5	■ Torque Rod Bushing . . . . .	7







			VEHICLE				VEHICLE
KEY NO.	PART NO.	DESCRIPTION	QTY.	KEY NO.	PART NO.	DESCRIPTION	QTY.
1		***Equalizing Beam Assembly, 40K/46K	2	22		*M20 x 2.5-6G x 65 mm Hex Bolt	20
	64846-003	52", with Shock Bracket		23		*M20 Hardened Washer	40
	64847-003	52", w/o Shock Bracket		24		*M20 x 2 1/2-6H Locknut	20
	64846-001	54", with Shock Bracket			57974-046	<b>Contact Plate Service Kit, One Side,</b> Includes Key Nos. 25-27	
	64847-001	54", w/o Shock Bracket		25	59191-000	Load Spring Contact Plate	2
	64846-002	60", with Shock Bracket		26		*5/8"-11 UNC x 1 1/2" Flange Bolt for Vehicles built after 11/07 ***Replaces 60818-001	8
	64847-002	60", w/o Shock Bracket		27		*5/8"-11 UNC Flange Nut for for Vehicles built after 11/07 ***Replaces 60819-000	8
		<b>Bar Pin End Bushing Service Kit, One Wheel End,</b> Includes Key Nos. 2-6a		28		***Load Spring Contact Plate Spacer for Vehicles built prior to 11/07	8
	34013-088L	Shim Type		29	60791-000	Load Spring Shim 1/4" Thickness Quantity may vary for vehicles built prior to 07/15/14 equipped with Auxiliary Load Spring	4
	34013-188L	Rotating, Shim Type		30	60818-002	1/2"-13 UNC x 2 1/4" Flange Bolt	4
2		*Bar Pin Bushing	4	31	60819-000	1/2"-13 UNC Flange Nut	4
	34013-104	<b>Bar Pin End Bushing Fastener Kit, One Wheel End,</b> Includes Key Nos. 3-5				<b>Rebound Strap Service Kits</b>	
3		*1"-8 UNC x 6" Hex Bolt	8		64179-028	One Side, Includes Key Nos. 32-33, 36-39	
4		*1" Hardened Washer	16		64179-045	Outrigger Tandem Set, <i>see Page 6</i>	
5		*1"-8 UNC Locknut	8		64179-046	Outrigger with Bolster Springs, Tandem Set, <i>see Page 6</i>	
6		Bar Pin Shim	8	32		*Rebound Strap	2
a	50131-000	0.25" / 0.12" Standard		33		*Rebound Clip	2
b	50130-000	0.19" / 0.19" Optional		34	60613-000	Rebound Support Angle	2
c	57026-000	0.375" Optional flat shim		35	59384-000	Load Spring Bracket	2
	60961-712	<b>Tie-bar Bolster Springs and Progressive Load Spring Service Kit, One Side,</b> Includes two 64179-048 and one 60961-745 Service Kits		36	60818-002	1/2"-13 UNC x 2 1/4" Flange Bolt	4
	64179-048	** <b>Tie-bar Bolster Spring Service Kit,</b> 2 Bolsters with 1 Wear Plate, Includes Key Nos. 7, 9-13		37	60819-000	1/2"-13 UNC Flange Nut	4
	64179-049	** <b>Bolster Spring Service Kit,</b> 2 Bolsters with 1 Wear Plate, Includes Key Nos. 8, 12-13		38	21867-007	3/4"-16 UNF x 6" Hex Bolt	2
7		*Tie-bar Bolster Spring	8	39	30191-000	3/4"-16 UNF Locknut	2
8		*Bolster Spring	8			<b>Progressive Load Spring Service Kits</b> for vehicles built after 07/15/14	
9	60818-003	1/2"-13 UNC x 10" Flange Bolt for Tie-bar	4		60961-745	<b>One Side,</b> Includes Key Nos. 40a, 41-42	
10	60819-000	1/2"-13 UNC Flange Nut for Tie-bar	4		60961-747	<b>Tandem Set,</b> Includes Key Nos. 40a, 41-42 • Also use as a conversion kit for vehicles built prior to 07/15/14	
11	65742-000	Tie-bar Bolster Spring Spacer	4		60961-746	<b>Weight Bias Kit</b> with Shims, Includes Key Nos. 29-31, 40a, b, 41-42, <i>Replaces 65902-004</i>	
12	60819-000	1/2"-13 UNC Flange Nut	32	64179-004	<b>Auxiliary Load Spring Service Kit, One Side,</b> for vehicles built prior to 07/15/14 Includes Key Nos. 40b, 41-42		
13	64890-000L	Wear Plate <i>Replaces 60498-001 and 60498-002</i>	4	40 a		*Progressive Load Spring	2
		<b>Saddle Assembly Service Kit, Tandem Set,</b> HAULMAAX 40K, Includes Key No. 14a and Kit No. 57974-048		40 b		*Auxiliary Load Spring	2
	57974-051			41		*1/2"-13 UNC x 2 1/4" Flange Bolt	6
	57974-050	HAULMAAX 460, Includes Key No. 14b and Kit No. 57974-049		42		*1/2"-13 UNC Flange Nut	6
		<b>Saddle Assembly Fastener Kit, Tandem Set,</b> HAULMAAX 40K, Includes Key Nos. 11, 22-24, 26-27, 36-37, 41-42		43	60874-000	Load Spring Spacer	2
	57974-048					<b>Single Shock Absorber Service Kit,</b> <i>(if equipped)</i> Includes Key Nos. 44-47 1 6 1/2" Saddle Height 17 1/2"/18 1/2" Saddle Height	
	57974-049	HAULMAAX 460, Includes Key Nos. 8-9, 11, 22-24, 26-27, 36-37, 41-42				<b>Aftermarket Shock Absorber Kit</b> for vehicles built with equalizing beams without welded shock absorber mounts, <i>see Page 6</i>	
14		Saddle Assembly, Vehicles built after 01/13/03	2	44		Shock Absorber Assembly <i>(if equipped)</i> for 1 6 1/2" Saddle Height <i>(see Figure 2)</i> for 17 1/2"/18 1/2" Saddle Height <i>(see Figure 2)</i>	4
a	64642-000	HAULMAAX 40K			60680-004L		
b	64643-000	HAULMAAX 46K			60680-005L		
15		Outboard Frame Bracket, <i>see Page 5</i> Vehicles built after 01/12/03	2	45	32043-005	5/8"-11 UNC x 4 1/4" Hex Bolt <i>(if equipped)</i>	4
16		Inboard Frame Bracket, <i>see Page 5</i>	2	46	22962-004	5/8" Hardened Washer <i>(if equipped)</i>	8
17	78441-000	Inboard Frame Bracket Shim, <i>(46K, if equipped,</i> <i>International Truck Only)</i>	2	47	47764-000	5/8"-11 UNC Locknut <i>(if equipped)</i>	4
18	32043-004	5/8"-11 UNC x 2 1/4" Hex Bolt *****M16 Hex Bolt	12	48	60304-000	Upper Shock Bracket <i>(if equipped)</i>	4
19	22962-004	5/8" Hardened Washer *****M16 Hardened Washer	24				
20	47764-000	5/8"-11 UNC Locknut *****M16 Locknut	12				
21		Inboard Spacer <i>(if equipped)</i>	As Req.				
	60618-001	1/8" Thick					
	60618-002	3/8" Thick					
		<b>Outboard Frame Bracket to Saddle Assembly Fastener Kit,</b> Includes Key Nos. 22-24					
	64179-038	Tandem Set					
	64179-039	One Side					



KEY NO.	PART NO.	DESCRIPTION	VEHICLE QTY.	KEY NO.	PART NO.	DESCRIPTION	VEHICLE QTY.
49		One-piece Longitudinal Torque Rod Assembly, Straddle/Straddle		52		Taper Bushing	2
	62000-XXX	ULTRA ROD®, Includes Key No. 51a Front, Specify Length in mm	1	a	64697-000L	ULTRA ROD	
	62001-XXX	Rear, Specify Length in mm	1	b	64400-004L	ULTRA ROD PLUS	
	72000-XXX	ULTRA ROD® PLUS™, Includes Key No. 51b Front, Specify Length in mm	1	c	66649-004L	XTRB	
	72001-XXX	Rear, Specify Length in mm	1	<b>Optional Two-Piece Torque Rod Assembly with Bushings Service Kit</b>			
50		****One-piece Transverse Torque Rod Assembly, Straddle/Taper, Specify Length in mm	2		60218-000	ULTRA ROD Straddle/Straddle	
	62350-XXX	ULTRA ROD, Includes Key Nos. 51a-52a			60215-000	ULTRA ROD Straddle/Taper	
	72350-XXX	ULTRA ROD PLUS, Includes Key Nos. 51b-52b			65781-000	ULTRA ROD PLUS Straddle/Taper	
	92350-XXX	XTRB, Includes Key Nos. 51c-52c			65781-001	XTRB Straddle/Straddle	
51		Straddle Bushing	4		65781-002	XTRB Straddle/Taper	
a	47691-000L	ULTRA ROD		53	22186-000	Torque Rod Frame Bracket	2
b	64400-002L	ULTRA ROD PLUS		54	45045-003	Back-up Plate (for Torque Rod)	2
c	66649-002L	XTRB		55	49689-000L	Torque Rod Shim	As Req.
					70867-001	P-80 Lubricant - 10 ml (Not Shown)	per Bushing 1

FIGURE 1

Outboard Frame Bracket Top View

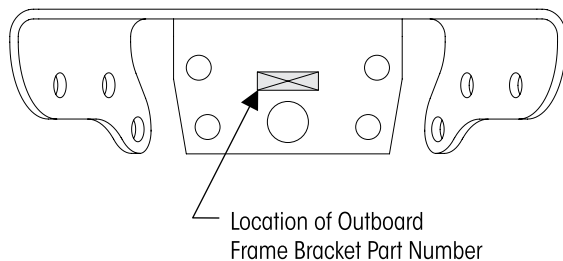
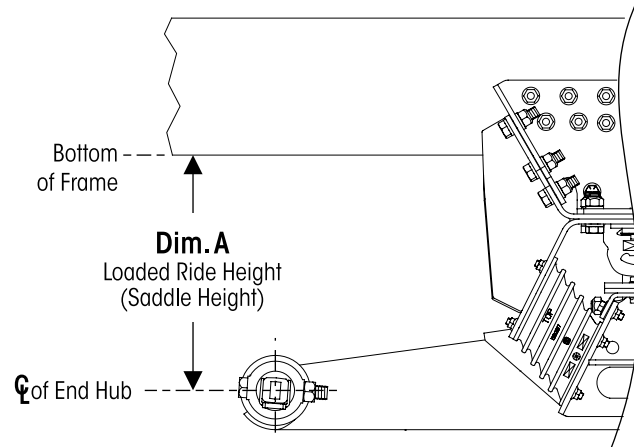


FIGURE 2

Sideview



NOTES

\* Item included in kit/assembly only, part not sold separately.

\*\* HAULMAAX 46K suspensions must be serviced with the new tie-bar bolster spring Kit No. 64179-048. All HAULMAAX 40K suspensions can be serviced using the existing bolster springs Kit No. 64179-049 or if preferred, tie-bar bolster spring Kit No. 64179-048. Refer to Hendrickson Technical Bulletin Literature No. SEU-0225 for more information.

\*\*\* For vehicles built prior to November 2007, when replacing the load spring contact plate or equalizing beam, Kit No. 57974-046 is required. Refer to Component Replacement Section in Hendrickson Technical Procedure Literature No. 17730-244.

\*\*\*\* Transverse torque rods are mandatory for the HAULMAAX rear suspension regardless of axle spacing, refer to Literature No. 59310-004.

Hendrickson HAULMAAX / HN Gauge (Lit. No. 48422-546) and HAULMAAX PLS (Progressive Load Spring) Gauge (Lit. No. 48422-590) can be obtained online at [www.hendrickson-intl.com/litform](http://www.hendrickson-intl.com/litform).

Hendrickson HAULMAAX Decal, No. 60905-002, contact Hendrickson.



■ Selection Guide

KEY NO. 15		OUTBOARD FRAME BRACKET — Vehicles built AFTER 01/13/03					
Vehicle Manufacturer	Frame Width	Saddle Height = Dim. A in Figure 2					
		16½"	17½"	18½"	20¼"	22½"	25½"
Autocar	34"						
CCC		64595-801 <i>replaces</i> 64595-001					
Freightliner	34.3" - 34.5"	64636-001	64636-002	64636-003			
GM	34.75"		64595-701				
International Truck	34.12" - 34.25"	64595-101			64595-105	64595-107	
	34.68" - 34.94"	64595-104		64595-114	64595-106	64595-108	64595-110
Mack	33.5"	64595-301	64595-302	64595-303			
	34.3"		64595-307				
Oshkosh	34"			64595-003			
Paccar		64595-001	64595-002	64595-003	64595-105		
	34.75"	64595-004	64595-005	64595-006			
Volvo	33.5"	64595-301					
Western Star	34"	64595-001	64595-002	64595-003			

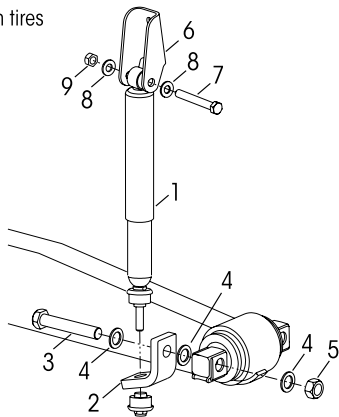
KEY NO. 16		INBOARD FRAME BRACKET						
Vehicle Manufacturer	Equalizing Beam Length	Frame Width	Saddle Height = Dim. A in Figure 2					25½"
			16½"	17½"	18½"	20¼"	22½"	
Autocar	All	34"	60617-601	60617-602	60617-603			
CCC			65078-001	65078-002	65078-003			
Freightliner		34.3"-34.5"	60617-501	60617-502	60617-503			
GM		34.75"		60617-701				
International Truck		34.12" - 34.25" 34.68" - 34.94"	60617-101		60617-104	60617-103		69681-000
International Truck with shim		34.5"		60617-201				
Mack	54"	33.5"		64988-301				
	52", 60"			64988-311				
	54"	34.3"		64988-301				
	52", 60"			64988-311				
Oshkosh		34"			65078-003			
Paccar with liner	All	34"	67545-001 <i>replaces</i> 65078-001	67545-002 <i>replaces</i> 65078-002	67545-003 <i>replaces</i> 65078-003			
Paccar without liner		34"	65079-001	65079-002	65079-003			
	34.75"							
Volvo	54"	33.5"		64988-302				
	52", 60", 72.5"			64988-312				
Western Star	All	34"	60617-501	60617-502	60617-503			



■ Aftermarket Service Kits

Service Kit Nos.	Saddle Ht.	Aftermarket Shock Absorber Tandem Set
64178-003	16½"	
64178-004	17½"/18½"	For equalizing beams not equipped
64178-009	16½" (Mack)	with lower shock mount

Reference Lit. No. 59310-012  
Not available with 315 mm tires

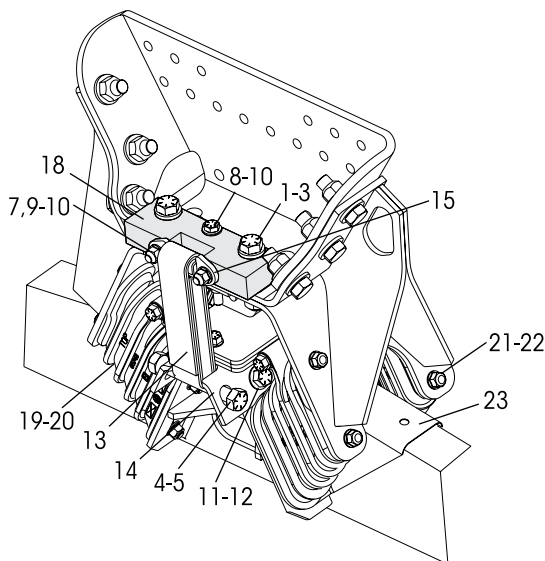


KEY NO.	PART NO.	DESCRIPTION	VEHICLE QTY.
		Shock Absorber Service Kit, Tandem Set	
	64178-003	16½" Saddle Height, Includes Key Nos. 1a, 2a-b, 3-9	
	64178-004	17½"/18½" Saddle Height, Includes Key Nos. 1b, 2a-b, 3-9	
	64178-009	16½" Saddle Height - Mack Only, Includes Key Nos. 1c, 2c, 3-9	
1		Shock Absorber Assembly	4
a	60680-004L	16½" Saddle Height	
b	60680-005L	17½"/18½" Saddle Height	
c	60680-006L	16½" Saddle Height - Mack	
2		Lower Shock Bracket	
a	64148-001	Front	2
b	64148-002	Rear (Not Shown)	2
c	64835-000	Mack Only, Front and Rear (Not Shown)	4
3	48941-006	1"-8 UNC x 7" Hex Bolt, <i>Replaces 48941-001</i>	4
4	22962-008	1" Hardened Washer	12
5	48942-000	1"-8 UNC Locknut	4
6	64146-000	Upper Shock Bracket	4
7	32043-005	5/8"-11 UNC x 4½" Hex Bolt	4
8	22962-004	5/8" Hardened Washer	8
9	47764-000	5/8"-11 UNC Locknut	4

Service Kit No.	Rebound Strap Enhancement with Bolster Springs Tandem Set
64179-046	For outrigger applications

Service Kit No.	Rebound Strap Enhancement Tandem Set
64179-045	For outrigger applications

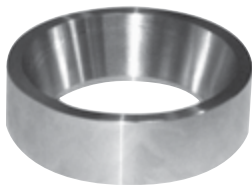
Reference Lit. No. 59310-048



KEY NO.	PART NO.	DESCRIPTION	VEHICLE QTY.
	64179-046	Rebound Strap Enhancement with Bolster Springs Tandem Set, Includes Key Nos. 1-23	
	64179-045	Rebound Strap Enhancement Tandem Set, Includes Key Nos. 1-18	
1	21867-007	3/4"-16 UNF x 6" Bolt	4
2	30191-000	3/4"-16 UNF Locknut	4
3	22962-001	3/4" Hardened Washer	4
4	50764-016	3/4"-10 UNC x 4" Bolt	4
5	66137-000	3/4"-10 UNC Flange Locknut	4
6	60818-002	1/2"-13 UNC x 2¼" Flange Bolt (Not Shown)	4
7	24531-009	1/2"-13 UNC x 4" Bolt	12
8	24531-014	1/2"-13 UNC x 5" Bolt	2
9	60819-000	1/2"-13 UNC Flange Nut	18
10	22962-011	1/2" Hardened Washer	14
11	67290-001	5/8"-11 UNC x 1½" Flange Bolt	8
12	67291-000	5/8"-11 UNC Flange Nut	8
13	57878-017	Rebound Strap	4
14	59191-002	Load Spring Contact Plate	2
15	60612-000	Rebound Clip	2
16	60874-001	Load Spring Spacer (Not Shown)	2
17	68851-001	Inboard Rebound Support Block (Not Shown)	2
18	69026-000	Outboard Rebound Support Block	2
19		*Tie-bar Bolster Spring	8
20	65742-000	Bolster Spring Spacer	4
21	60818-003	1/2"-13 UNC x 10" Flange Bolt	4
22	60819-000	1/2"-13 UNC Flange Nut	36
23	64890-000	Wear Plate	4

**■ Special Tools****BAR PIN END BUSHING TOOLS****INSTALLATION TOOLS****Hendrickson Part No. 66086-103****OTC Part No. 1757**Visit [otctools.com](http://otctools.com)

Special tooling is required to service the bar pin end bushings. Hendrickson part number 66086-103 tool is used with the equalizing beam removed from the truck, and in conjunction with OTC No. 51100 press plate and a 100-ton hydraulic shop press.

**REMOVAL TOOLS****Hendrickson Part No. 66086-104****OTC Part No. 206457**Visit [otctools.com](http://otctools.com)**Hendrickson Part No. 66086-105****OTC Part No. 302030**Visit [otctools.com](http://otctools.com)**TORQUE ROD FUNNEL TOOLS****ULTRA ROD****Hendrickson Part No. 66086-001L****ULTRA ROD PLUS****Hendrickson Part No. 66086-000L**

This is a general parts list to provide directional information. Components may vary by model. Questions in regards to parts, contact Hendrickson Truck Parts at 1.866.755.5968 (Toll-free U.S. and Canada), 630.910.2800 (Outside U.S. and Canada) or e-mail: [truckparts@hendrickson-intl.com](mailto:truckparts@hendrickson-intl.com).

---

[www.hendrickson-intl.com](http://www.hendrickson-intl.com)



Truck Commercial Vehicle Systems  
800 South Frontage Road  
Woodridge, IL 60517-4904 USA

1.866.755.5968 (Toll-free U.S. and Canada)  
1.630.910.2800 (Outside U.S. and Canada)  
Fax 1.630.910.2899